

WIPE-ON APPLICATORS

Operating Manual



Copyright by Carl Valentin GmbH / 7997305.1023

Information on the scope of delivery, appearance, performance, dimensions, and weight reflect our knowledge at the time of printing.

We reserve the rights to make modifications.

All rights, including those regarding the translation, are reserved.

No part of this document may be reproduced in any form (print, photocopy, or any other method) or edited, copied, or distributed electronically without written permission from Carl Valentin GmbH.

Due to the constant further development of our devices discrepancies between manual and device can occur.

Please check www.carl-valentin.de for the latest update.

Due to the constant further development of our devices discrepancies between manual and device can occur.

Please check www.carl-valentin.de for the latest update.

Trademarks

All named brands or trademarks are registered brands or registered trademarks of their respective owners and may not be separately labelled. It must not be concluded from the missing labelling that it is not a registered brand or a registered trademark.

The following products are covered in this manual

WMX 5010	right side, variable	ILX 5X, right version
WMX 5110	left side, variable	ILX 5X, left version
WMX 5210	right side, variable	ILX 8X, right version
WMX 5310	left side, variable	ILX 8X, left version
WMX 5410	right side, variable	ILX 10X, right version
WMX 5510	left side, variable	ILX 10X, left version
WMX 5015	right side, variable 90 degrees	ILX 5X, right version
WMX 5115	left side, variable 90 degrees	ILX 5X, left version
WMX 5215	right side, variable 90 degrees	ILX 8X, right version
WMX 5315	left side, variable 90 degrees	ILX 8X, left version
WMX 5415	right side, variable 90 degrees	ILX 10X, right version
WMX 5515	left side, variable 90 degrees	ILX 10X, left version



Carl Valentin GmbH

Postfach 3744

78026 Villingen-Schwenningen

Neckarstraße 78 – 86 u. 94

78056 Villingen-Schwenningen

Phone +49 7720 9712-0

Fax +49 7720 9712-9901

E-Mail info@carl-valentin.de

Internet www.carl-valentin.de

Table of Contents

1	Introduction.....	5
1.1	General Instructions	5
1.2	Intended Use	5
1.3	Safety Instructions.....	6
2	Product Description	9
2.1	Product Designation	9
2.2	Function Description.....	10
3	Overview.....	11
3.1	Variable Version (for ILX 5X and 8X)	11
3.2	Variable Version (for ILX 10X).....	12
3.3	90 Degrees Version (for ILX 5X und 8X).....	13
3.4	90 Degrees Version (for ILX 10X)	14
4	Technical Data	15
4.1	Variable Version	15
4.2	90 Degrees Version.....	15
5	Installation.....	17
5.1	Unpack the Wipe-On Applicator	17
5.2	Scope of Delivery	17
5.3	Connect the Transducer to Printing System	17
5.4	Connect the Wipe-On Applicator.....	18
5.4.1	Variable Version	18
5.4.2	90 Degrees Version	22
5.5	Load Media.....	26
5.5.1	Variable Version	26
5.5.2	90 Degrees Version	30
5.6	Adjust the Displacement Unit	34
6	Adjustments.....	35
6.1	Adjust the Dispensing Angle Continuously	35
6.1.1	Variable Version	35
6.1.2	90 Degrees Version	37
6.2	Fine-Adjust the Dispensing Angle	39
6.2.1	Variable Version	39
6.2.2	90 Degrees Version	41
6.3	Adjust the Labelling Position	43
6.3.1	Variable Version	43
6.3.2	90 Degrees Version	47
7	Adjusting Problems.....	51
8	Options	53
8.1	Install the Pressure Roller	53
8.1.1	Variable Version	53
8.1.2	90 Degrees Version	54

8.2 Install the Pressure Brush 55

 8.2.1 Variable Version 55

 8.2.2 90 Degrees Version 56

8.3 Adjust the Pressure Roller..... 57

 8.3.1 Variable Version 57

 8.3.2 90 Degrees Version 59

8.4 Adjust the Pressure Brush..... 61

 8.4.1 Variable Version 61

 8.4.2 90 Degrees Version 63

8.5 Product Sensor..... 65

9 Environmentally-Friendly Disposal 67

10 Index 69

1 Introduction

1.1 General Instructions

Important information and instructions in this document are designated as follows:



DANGER identifies an extraordinarily great and immediate danger which could lead to serious injury or even death.



WARNING identifies a possible danger could lead to serious bodily injury or even death if sufficient precautions are not taken.



WARNING of cutting injuries. Pay attention that cutting injuries caused by blades, cutting devices or sharp-edged parts are avoided.



WARNING of hand injuries. Pay attention that hand injuries caused by closing mechanical parts of a machine/equipment are avoided.



WARNING of hot surfaces. Pay attention so as not to come into contact with hot surfaces.



CAUTION indicates a potentially dangerous situation which could lead to moderate or light bodily injury or damage to property.



NOTICE gives you tips. They make a working sequence easier or draw attention to important working processes.



Gives you tips on protecting the environment.



Handling instruction



Optional accessories, special fittings

Date

Information in the display

1.2 Intended Use

The device is a state-of-the-art device which complies with the recognized safety-related rules and regulations. Despite this, a danger to life and limb of the user or third parties could arise and the device or other property could be damaged while operating the device.

The device may only be used while in proper working order and for the intended purpose. Users must be safe, aware of potential dangers and must comply with the operating instructions. Faults, in particular those which affect safety, must be remedied immediately.

The device is intended exclusively as a peripheral unit for the printing systems of ILX series to apply suitable materials that have been approved by the manufacturer. Any other or additional use is not intended. The manufacturer/supplier is not liable for damage resulting from misuse. Any misuse is at your own risk.

Intended use includes heeding the operating manual, including the maintenance recommendations/regulations specified by the manufacturer.

1.3 Safety Instructions

Couple the applicator to devices using extra low voltage only.

Before making or undoing connections, switch off all devices involved (computer, printer, accessories etc.).

Operate the applicator in a dry environment only and do not get it wet (sprayed water, mist etc.).

Do not operate the applicator in explosive atmosphere and not in proximity of high voltage power lines.

Do not operate the applicator in explosive atmosphere and not in proximity of high voltage power lines.

Maintenance and servicing work can only be carried out by trained personnel.

Operating personnel must be trained by the operator on the basis of the operating manual.



WARNING!

Danger of injury from rotating parts!

⇒ During operation, the rotating parts are freely accessible. When working on the device wear tightly fitting clothes and tie up long hair. Loosely hanging pieces or long hair can get caught in parts of the device.

Never use highly inflammable consumables.

Carry out only the actions described in these operating instructions. Any work beyond this may only be performed by the manufacturer or upon agreement with the manufacturer.

Unauthorized interference with electronic modules or their software can cause malfunctions.

Other unauthorized work or modifications to the device can endanger operational safety.

Always have service work done in a qualified workshop, where the personnel have the technical knowledge and tools required to do the necessary work.

There are warning stickers on the device that draw your attention to dangers. Therefore the warning stickers are not to be removed as then you and others cannot be aware of dangers and may be injured.

2 Product Description

2.1 Product Designation

Designation	Specification	Device Type
WMX 5010	Variable version	ILX 56/8 and ILX 54/12, right version
WMX 5110	Variable version	ILX 56/8 and ILX 54/12, left version
WMX 5210	Variable version	ILX 80/8 and ILX 81/12, right version
WMX 5310	Variable version	ILX 80/8 and ILX 81/12, left version
WMX 5410	Variable version	ILX 10X/8 and ILX 10X/12, right version
WMX 5510	Variable version	ILX 10X/8 and ILX 10X/12, left version
WMX 5015	90 degrees version	ILX 56/8 and ILX 54/12, right version
WMX 5115	90 degrees version	ILX 56/8 and ILX 54/12, left version
WMX 5215	90 degrees version	ILX 80/8 and ILX 81/12, right version
WMX 5315	90 degrees version	ILX 80/8 and ILX 81/12, left version
WMX 5415	90 degrees version	ILX 10X/8 and ILX 10X/12, right version
WMX 5515	90 degrees version	ILX 10X/8 and ILX 10X/12, left version

2.2 Function Description

The described wipe-on applicators are additional modules for the printing systems of ILX series and serve the automatic application of printed labels onto a product. The application of labels is made with the so-called wipe-on procedure. Here the printed label is removed from the backing paper and taken from the dispenser of the wipe-on applicator, then rolled on the product with the pressure roller or applied on the product with the pressure brush.

In order to simplify the integration of wipe-on applicator into an existing production process, the dispensing edge can be adjusted independent of height and angle. This given flexibility the printing system can be installed fix at a free position in the machine environment. The height adjustment of dispensing edge to the product is effected with holding shafts. Depending on the installation position of printing system and dependent on the product height the holding shafts are cut to length accordingly and afterwards clamped in the intended fixing strip.

With the wipe-on applicators WMX 5015 / 5115 / 5215 / 5315 / 5415 / 5515 the height adjustment can be adjusted 90 degrees to the printing direction.



NOTICE!

The operation of printing system with wipe-on applicator requires the use of an external start signal (see chapter 8.5, page 65).

3 Overview

3.1 Variable Version (for ILX 5X and 8X)



NOTICE!

The figure applies to the wipe-on applicators *WMX 5010 / 5110 / 5210 / 5310* – right version.

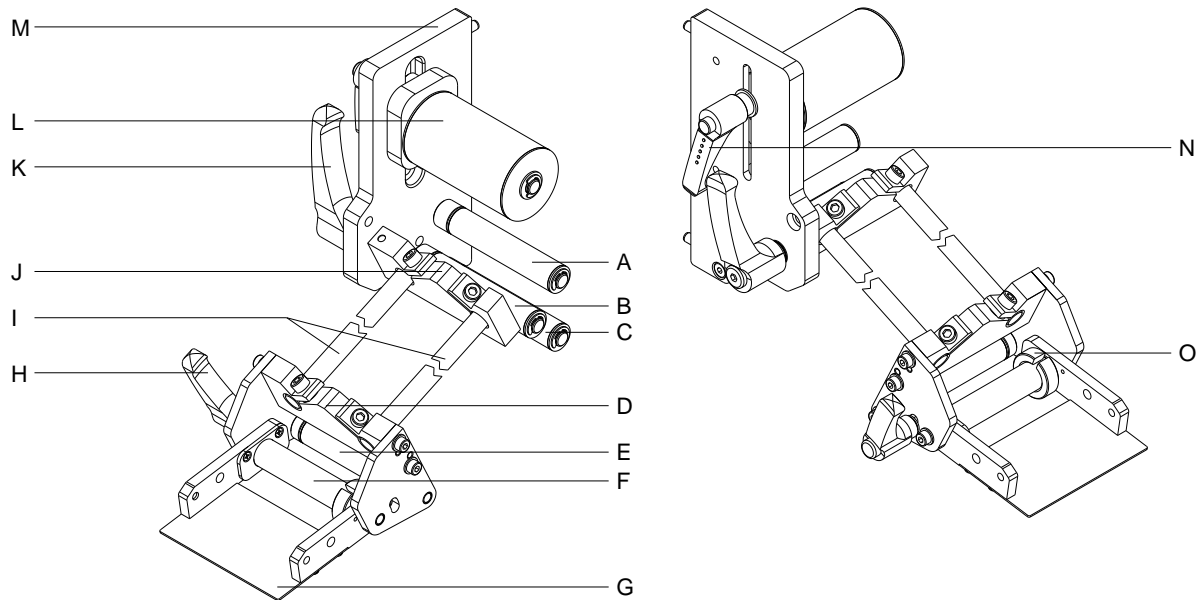


Figure 1

A =	Return pulley	I =	Holding shaft (variable)
B =	Return pulley	J =	Mounting plate
C =	Return pulley	K =	Clamping lever for mounting plate
D =	Mounting plate	L =	Return pulley
E =	Return pulley	M =	Base plate
F =	Return pulley	N =	Clamping lever for pressure roller
G =	Dispensing edge	O =	Label guiding (adjustable)
H =	Clamping lever for dispensing edge		

3.2 Variable Version (for ILX 10X)



NOTICE!

The figure applies to the wipe-on applicators *WMX 5410 / 5510* – right version.

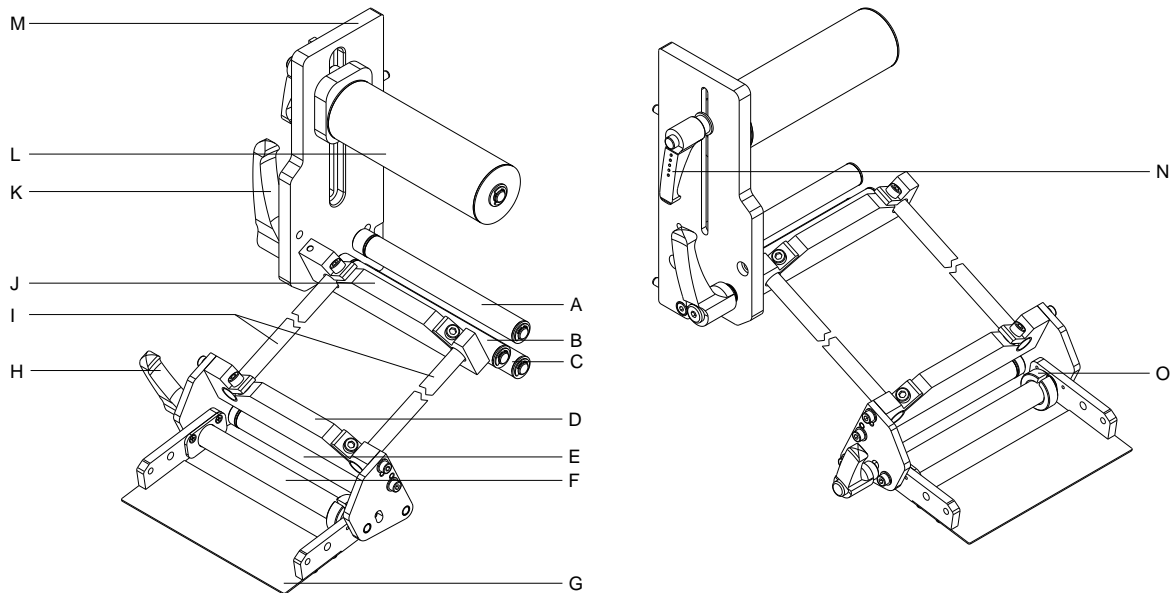


Figure 2

A =	Return pulley	I =	Holding shaft (variable)
B =	Return pulley	J =	Mounting plate
C =	Return pulley	K =	Clamping lever for mounting plate
D =	Mounting plate	L =	Return pulley
E =	Return pulley	M =	Base plate
F =	Return pulley	N =	Clamping lever for pressure roller
G =	Dispensing edge	O =	Label guiding (adjustable)
H =	Clamping lever for dispensing edge		

3.3 90 Degrees Version (for ILX 5X und 8X)



NOTICE!

The figure applies to the wipe-on applicators *WMX 5015 / 5115 / 5215 / 5315* – right version.

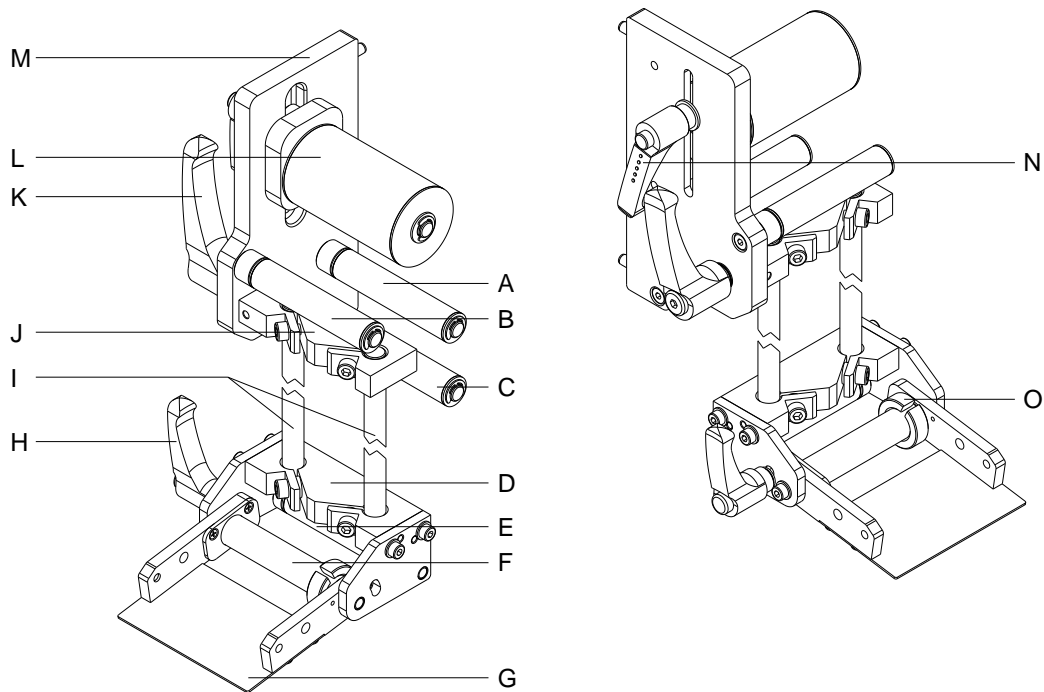


Figure 3

- | | | | |
|-----|------------------------------------|-----|------------------------------------|
| A = | Return pulley | I = | Holding shaft (variable) |
| B = | Return pulley | J = | Mounting plate |
| C = | Return pulley | K = | Clamping lever for mounting plate |
| D = | Mounting plate | L = | Return pulley |
| E = | Return pulley | M = | Base plate |
| F = | Return pulley | N = | Clamping lever for pressure roller |
| G = | Dispensing edge | O = | Label guiding (adjustable) |
| H = | Clamping lever for dispensing edge | | |

3.4 90 Degrees Version (for ILX 10X)



NOTICE!

The figure applies to the wipe-on applicators *WMX 5415 / 5515* – right version.

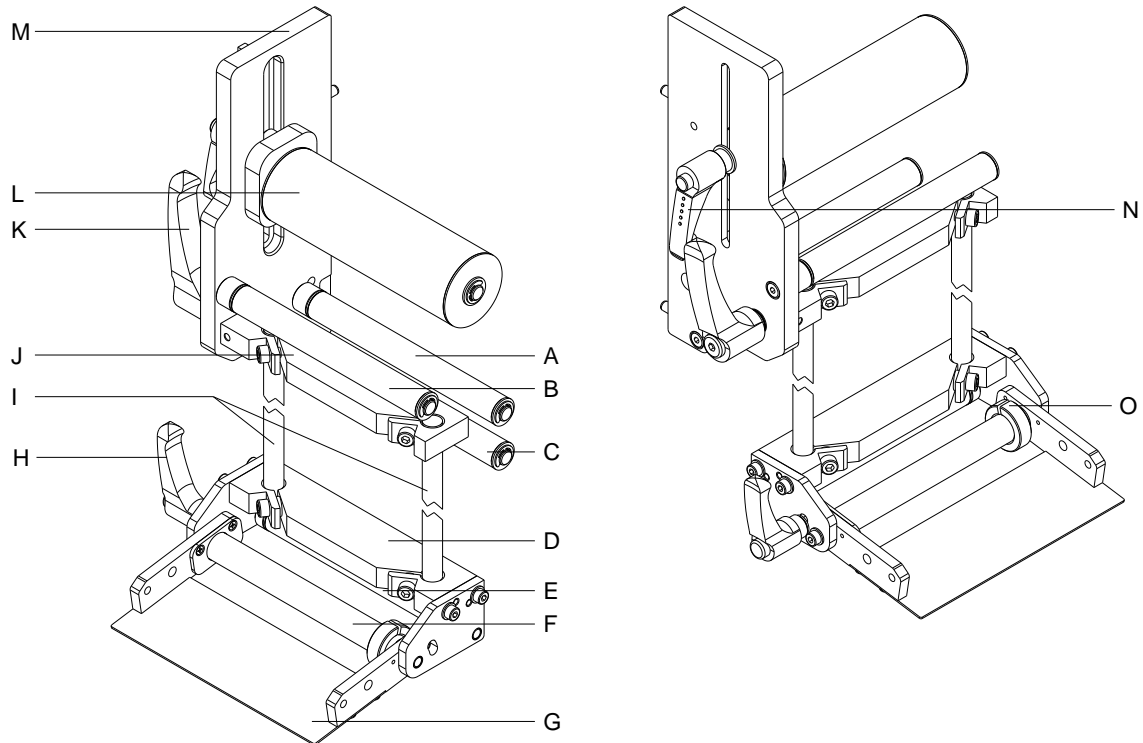


Figure 4

- | | | | |
|-----|------------------------------------|-----|------------------------------------|
| A = | Return pulley | I = | Holding shaft (variable) |
| B = | Return pulley | J = | Mounting plate |
| C = | Return pulley | K = | Clamping lever for mounting plate |
| D = | Mounting plate | L = | Return pulley |
| E = | Return pulley | M = | Base plate |
| F = | Return pulley | N = | Clamping lever for pressure roller |
| G = | Dispensing edge | O = | Label guiding (adjustable) |
| H = | Clamping lever for dispensing edge | | |

4 Technical Data

4.1 Variable Version

Wipe-on applicator	WMX 5010 / 5110	WMX 5210 / 5310	WMX 5410 / 5510
Print module	ILX 56/8, ILX 54/12	ILX 80/8, 81/12	ILX 10X/8, 10X/12
Passage width	60 mm	90 mm	116 mm
Min label width	20 mm	20 mm	25 mm
Min label height	15 mm		
Max label height	200 mm ¹		
Buffer length from printhead to dispensing edge	Depending on the length of holding shafts and adjustment angle of dispensing edge.		
Distance bottom edge printing system to labelling level	variabel		
Weight	1,5 kg ²	1,8 kg ²	2,1 kg ²

¹ The maximum label height depends on the length of holding shafts as well as on the installation position of printing system and wipe-on applicator. For detailed information, please refer to chapter 7, page 51.

² The weight refers to holding shafts with a length of 300 mm.

4.2 90 Degrees Version

Wipe-on applicator	WMX 5015 / 5115	WMX 5215 / 5315	WMX 5415 / 5515
Print module	ILX 56/8, ILX 54/12	ILX 80/8, 81/12	ILX 10X/8, 10X/12
Passage width	60 mm	90 mm	116 mm
Min label width	20 mm	20 mm	25 mm
Min label height	15 mm		
Max label height	200 mm ¹		
Buffer length from printhead to dispensing edge	Depending on the length of holding shafts and adjustment angle of dispensing edge.		
Distance bottom edge printing system to labelling level	variabel		
Weight	1,5 kg ²	1,8 kg ²	2,1 kg ²

¹ The max label height depends on the length of holding shafts as well as on the installation position of printing system and wipe-on applicator. For detailed information, please refer to chapter 7, page 51.

² The weight refers to holding shafts with a length of 300 mm.

5 Installation

5.1 Unpack the Wipe-On Applicator

- ⇒ Lift the wipe-on applicator out of the box.
- ⇒ Check the wipe-on applicator for transport damages.
- ⇒ Check delivery for completeness.

5.2 Scope of Delivery

- Wipe-on applicator
- 2x holding shaft (length 300 mm).
- 1x mounting angle
- 4x cylinder screw M5x12
- 4x washer
- Documentation



NOTICE!

Retain original packaging for subsequent transport.

5.3 Connect the Transducer to Printing System

The use of the printing system with wipe-on applicator requires the utilization of an external start signal.

E.g. the optionally available product sensor for the external start signal can be attached to the printing system

For detailed information refer to chapter 8.5, page 65).

5.4 Connect the Wipe-On Applicator

5.4.1 Variable Version

Applies to wipe-on applicators:
5010, 5110 (ILX 5X) and
5210, 5310 (ILX 8X)

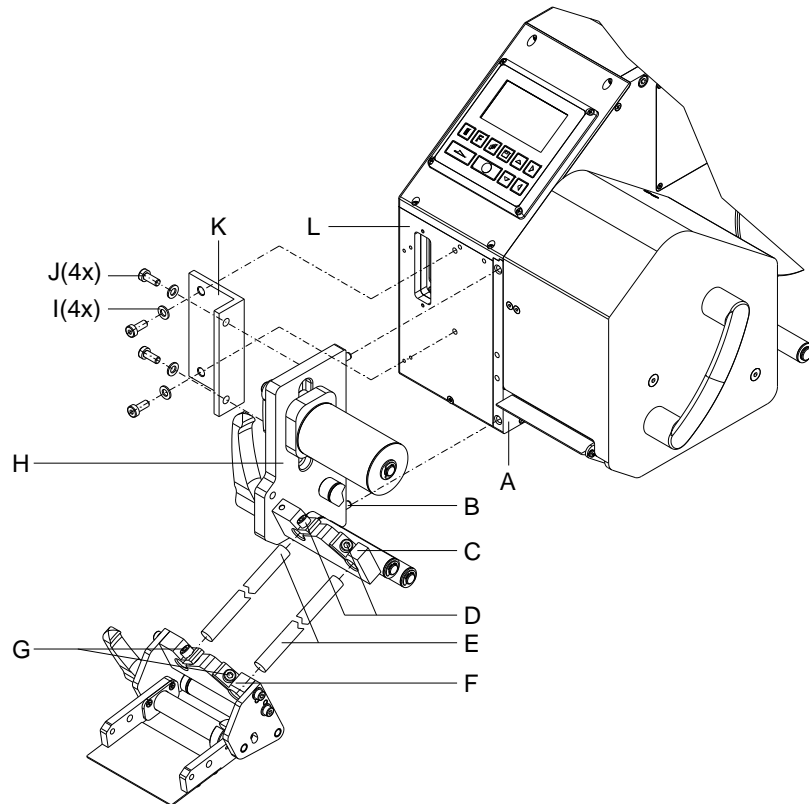
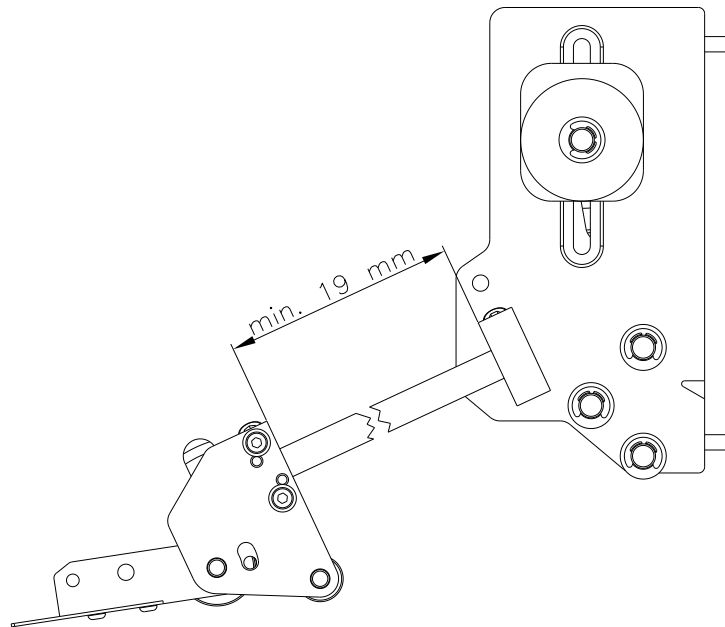


Figure 5

1. Insert the cylinder pins (B) on the wipe-on applicator into the intended drillings of the carrier plate (A) of the printing system.
2. Attach the mounting angle (K) with the washers (I) and screws (J) to the front plate (L) of the printing system and the base plate (H) of the wipe-on applicator.
3. Shorten and deburr the length of holding shafts (E) as required.

**NOTICE!**

Depending on installation situation of the printing system in the machine environment and dependent on the product height, the holding shafts (E) can be adjusted as required. The minimum distance of 19 mm of holding shafts (E) to both mounting plates (C and F) of the wipe-on applicator is to be observed.

**Figure 6**

4. Insert the holding shafts (E) even into the mounting plate (F) and then clamp them with the screws (G).
5. Insert the holding shafts (E) with the clamped module even into the mounting plate (C) and clamp it with the screws (D).

Applies to wipe-on
applicators:
5410, 5510 (ILX 10X)

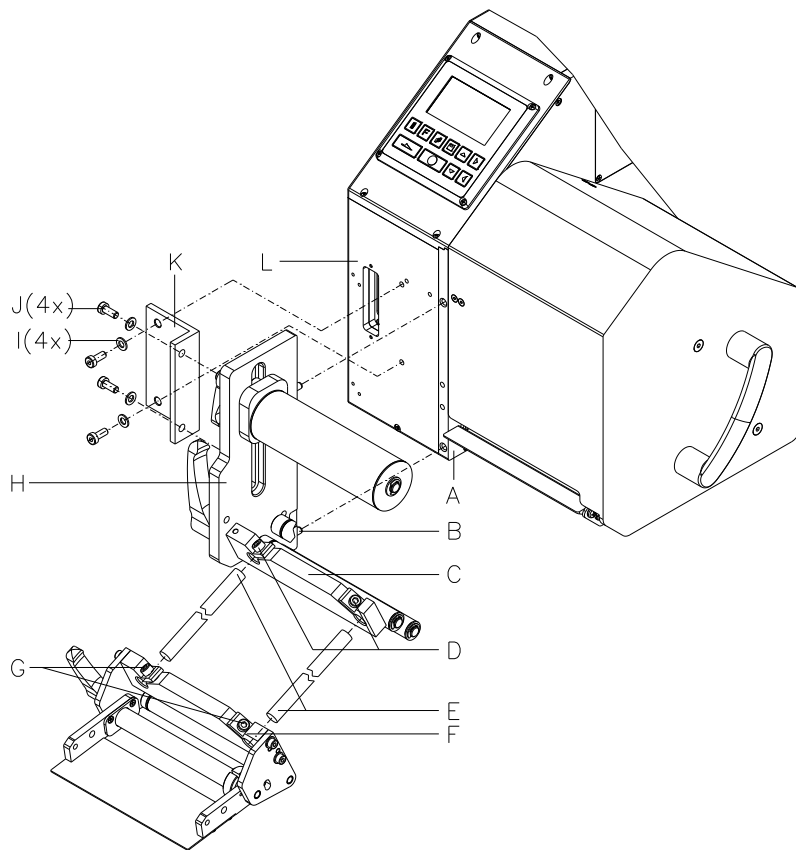
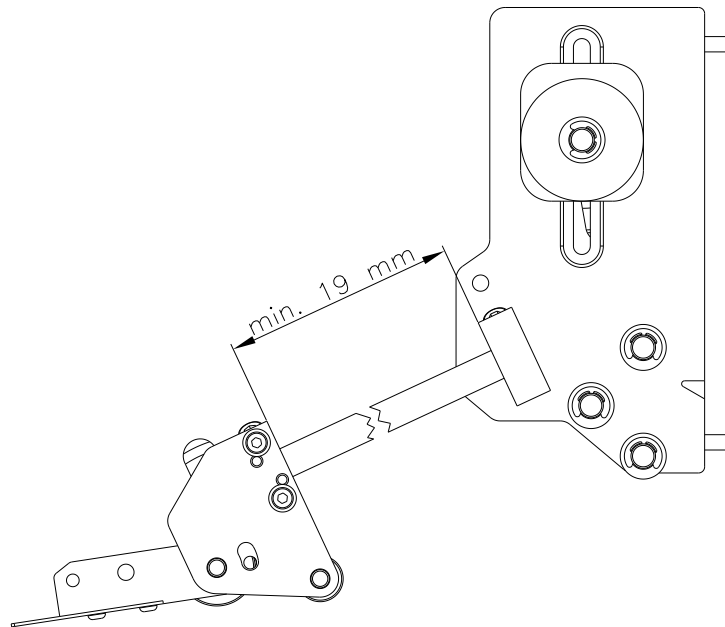


Figure 7

1. Insert the cylinder pins (B) on the wipe-on applicator into the intended drillings of the carrier plate (A) of the printing system.
2. Attach the mounting angle (K) with the washers (I) and screws (J) to the front plate (L) of the printing system and the base plate (H) of the wipe-on applicator.
3. Shorten and deburr the length of holding shafts (E) as required.

**NOTICE!**

Depending on installation situation of the printing system in the machine environment and dependent on the product height, the holding shafts (E) can be adjusted as required. The minimum distance of 19 mm of holding shafts (E) to both mounting plates (C and F) of the wipe-on applicator is to be observed.

**Figure 8**

4. Insert the holding shafts (E) even into the mounting plate (F) and then clamp them with the screws (G).
5. Insert the holding shafts (E) with the clamped module even into the mounting plate (C) and clamp it with the screws (D).

5.4.2 90 Degrees Version

Applies to wipe-on applicators:

5015, 5115 (ILX 5X) and
5215, 5315 (ILX 8X)

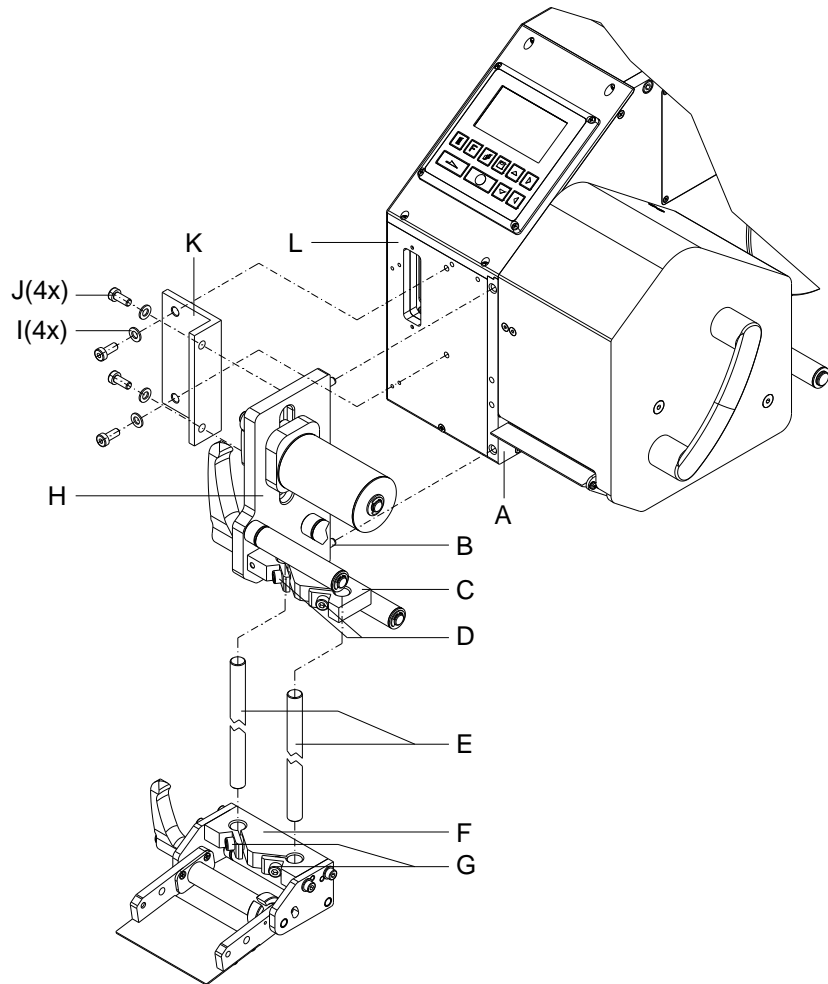
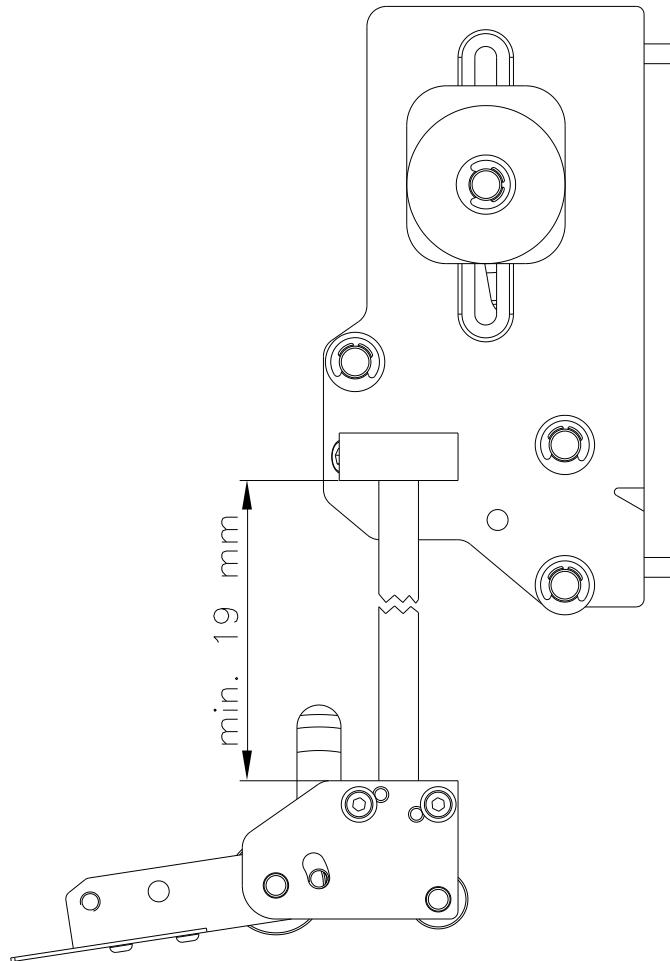


Figure 9

1. Insert the cylinder pins (B) on the wipe-on applicator into the intended drillings of the carrier plate (A) of the printing system.
2. Attach the mounting angle (K) with the washers (I) and screws (J) to the front plate (L) of the printing system and the base plate (H) of the wipe-on applicator.
3. Shorten and deburr the length of holding shafts (E) as required.

**NOTICE!**

Depending on installation situation of the printing system in the machine environment and dependent on the product height, the holding shafts (E) can be adjusted as required. The minimum distance of 19 mm of holding shafts (E) to both mounting plates (C and F) of the wipe-on applicator is to be observed.

**Figure 10**

4. Insert the holding shafts (E) even into the mounting plate (F) and then clamp them with the screws (G).
5. Insert the holding shafts (E) with the clamped module even into the mounting plate (C) and clamp it with the screws (D).

Applies to wipe-on
applicators:
5415, 5515 (ILX 10X)

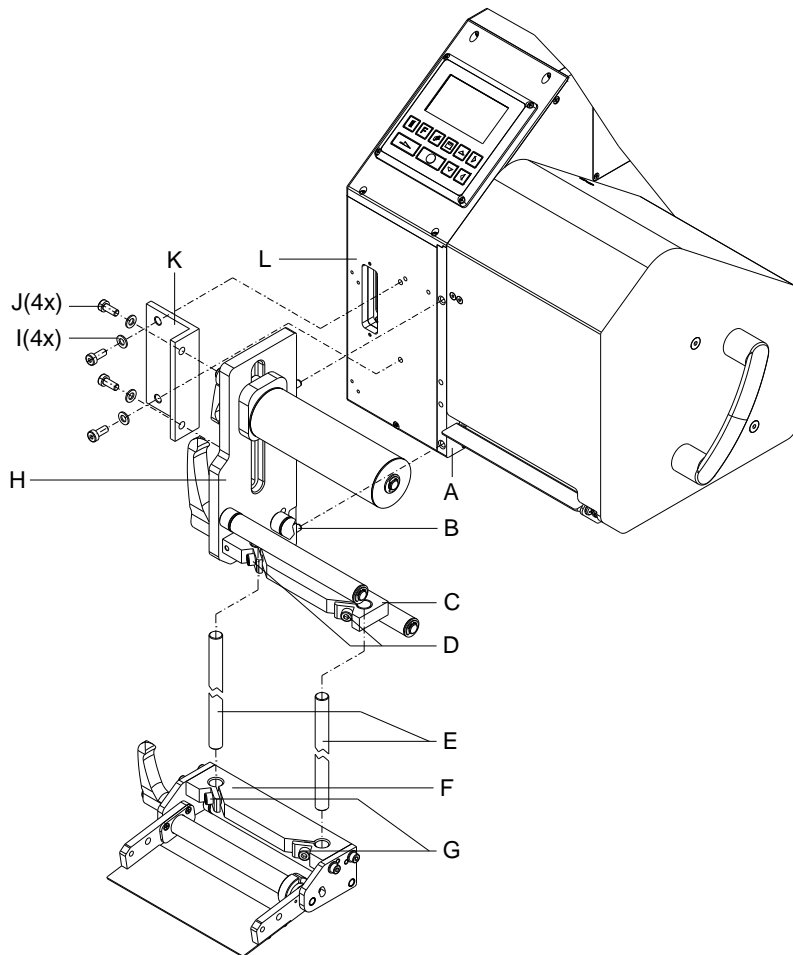
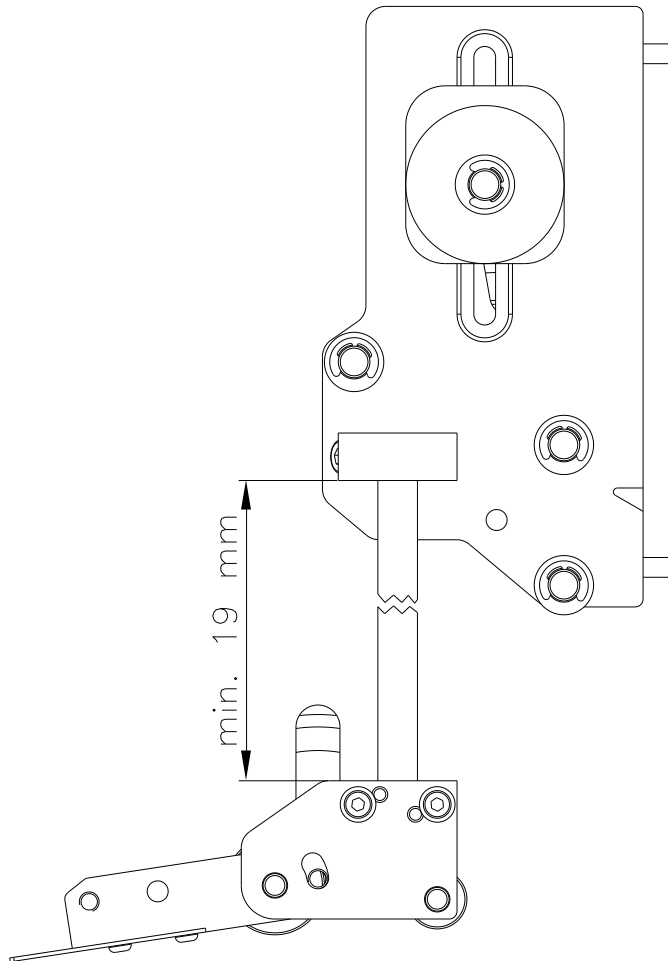


Figure 11

1. Insert the cylinder pins (B) on the wipe-on applicator into the intended drillings of the carrier plate (A) of the printing system.
2. Attach the mounting angle (K) with the washers (I) and screws (J) to the front plate (L) of the printing system and the base plate (H) of the wipe-on applicator.
3. Shorten and deburr the length of holding shafts (E) as required.

**NOTICE!**

Depending on installation situation of the printing system in the machine environment and dependent on the product height, the holding shafts (E) can be adjusted as required. The minimum distance of 19 mm of holding shafts (E) to both mounting plates (C and F) of the wipe-on applicator is to be observed.

**Figure 12**

4. Insert the holding shafts (E) even into the mounting plate (F) and then clamp them with the screws (G).
5. Insert the holding shafts (E) with the clamped module even into the mounting plate (C) and clamp it with the screws (D).

5.5 Load Media

5.5.1 Variable Version

Applies to wipe-on applicators:
5010, 5110 (ILX 5X) and
5210, 5310 (ILX 8X)

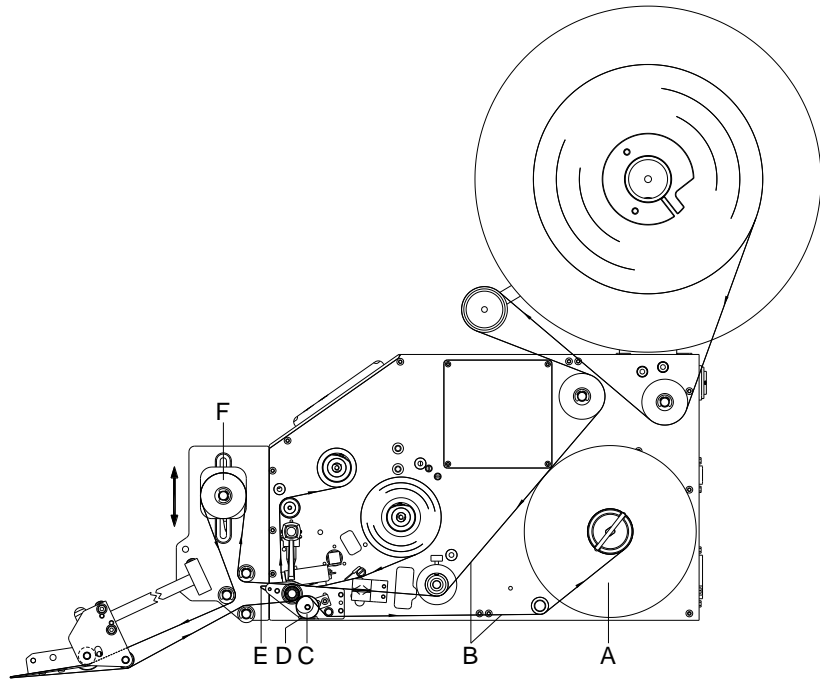


Figure 13

1. Load the label material (B) according to the label run up to the dispenser edge (E) of the printing system.



NOTICE!

For a detailed description for inserting material into the printing system please refer to the chapter *Inserting Material* in the operating manual of the printing system.

2. Move the return pulley (F) of the displacement unit upwards against the stop for a better positioning of the label material (see chapter 5.6, page 34).
3. Pull out the label material as long as it reaches to the backing paper rewinder (A).
4. Remove all labels from the pulled out label material.
5. Insert the backing paper in arrow direction into the wipe-on applicator. Guide the backing paper according to the operating manual of the printing system to the rewinder (A).

6. Align the label guiding (B) to the material width (see illustration below).

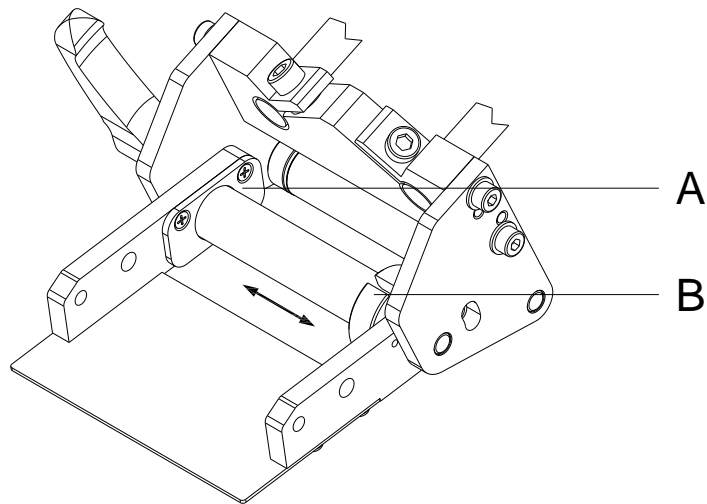


Figure 14



CAUTION!

If the label material is not even inserted, this can lead to a bad printout.

- ⇒ The inner label guiding (A) represents the stop for the label material. The label material must be positioned even at the label guiding (A).
- ⇒ Align the adjustable label guiding (B) to the material width.

Applies to wipe-on
applicators:
5410, 5510 (ILX 10X)

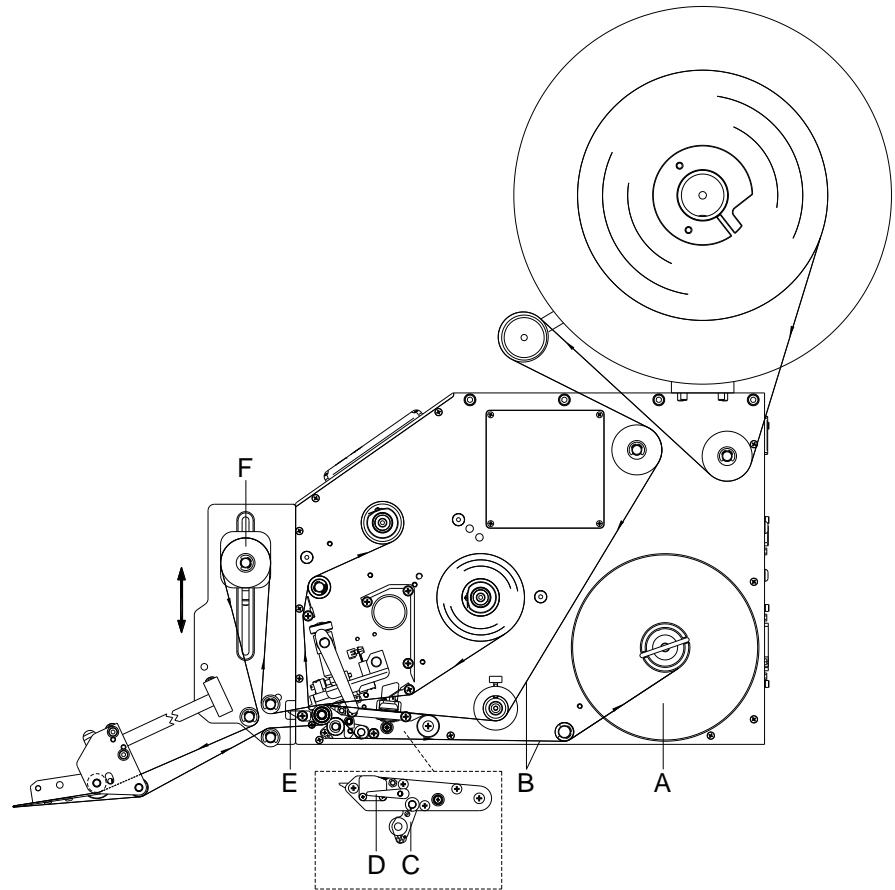


Figure 15

1. Load the label material (B) according to the label run up to the dispenser edge (E) of the printing system.



NOTICE!

For a detailed description for inserting material into the printing system please refer to the chapter *Inserting Material* in the operating manual of the printing system.

2. Move the return pulley (F) of the displacement unit upwards against the stop for a better positioning of the label material (see chapter 5.6, page 34).
3. Pull out the label material as long as it reaches to the backing paper rewriter (A).
4. Remove all labels from the pulled out label material.
5. Insert the backing paper in arrow direction into the wipe-on applicator. Guide the backing paper according to the operating manual of the printing system to the rewriter (A).

6. Align the label guiding (B) to the material width (see illustration below).

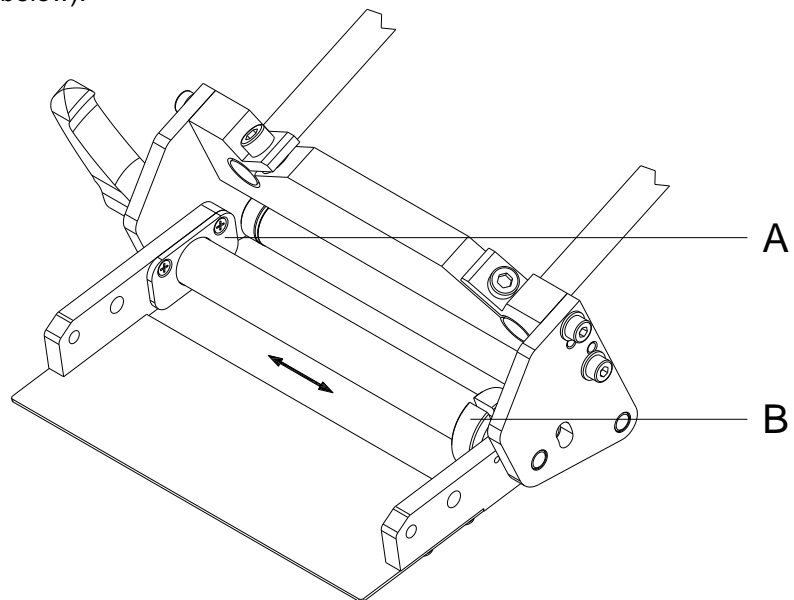


Figure 16



CAUTION!

If the label material is not even inserted, this can lead to a bad printout.

- ⇒ The inner label guiding (A) represents the stop for the label material. The label material must be positioned even at the label guiding (A).
- ⇒ Align the adjustable label guiding (B) to the material width.

5.5.2 90 Degrees Version

Applies to wipe-on applicators:

5015, 5115 (ILX 5X) and
5215, 5315 (ILX 8X)

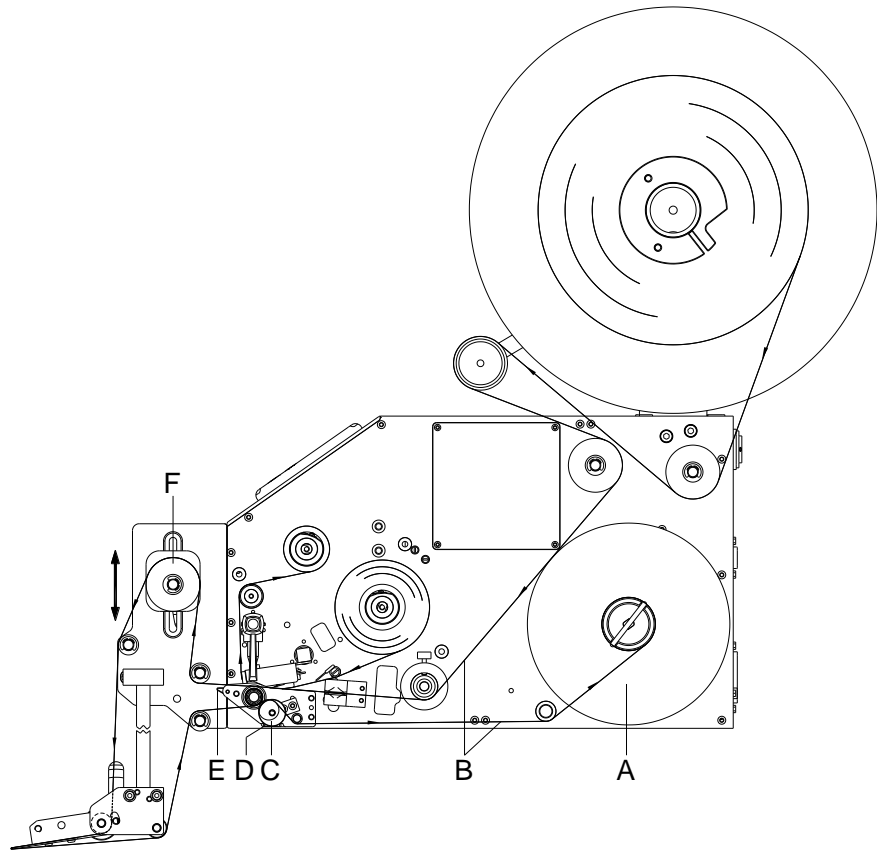


Figure 17

1. Load the label material (B) according to the label run up to the dispenser edge (E) of the printing system.



NOTICE!

For a detailed description for inserting material into the printing system please refer to the chapter *Inserting Material* in the operating manual of the printing system.

2. Move the return pulley (F) of the displacement unit upwards against the stop for a better positioning of the label material (see chapter 5.6, page 34).
3. Pull out the label material as long as it reaches to the backing paper retractor (A).
4. Remove all labels from the pulled out label material.
5. Insert the backing paper in arrow direction into the wipe-on applicator. Guide the backing paper according to the operating manual of the printing system to the retractor (A).

6. Align the label guiding (B) to the material width (see illustration below).

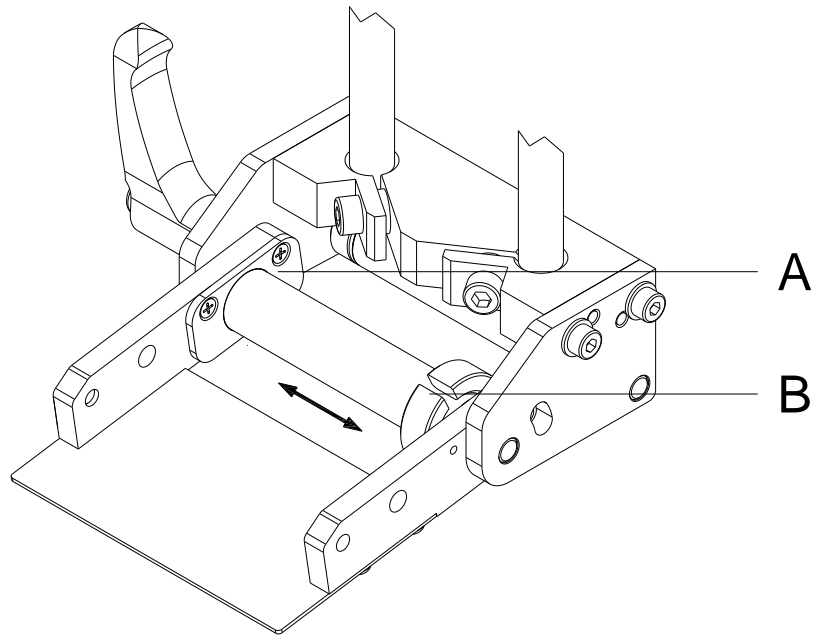


Figure 18



CAUTION!

If the label material is not even inserted, this can lead to a bad printout.

- ⇒ The inner label guiding (A) represents the stop for the label material. The label material must be positioned even at the label guiding (A).
- ⇒ Align the adjustable label guiding (B) to the material width.

Applies to wipe-on
applicators:
5415, 5515 (ILX 10X)

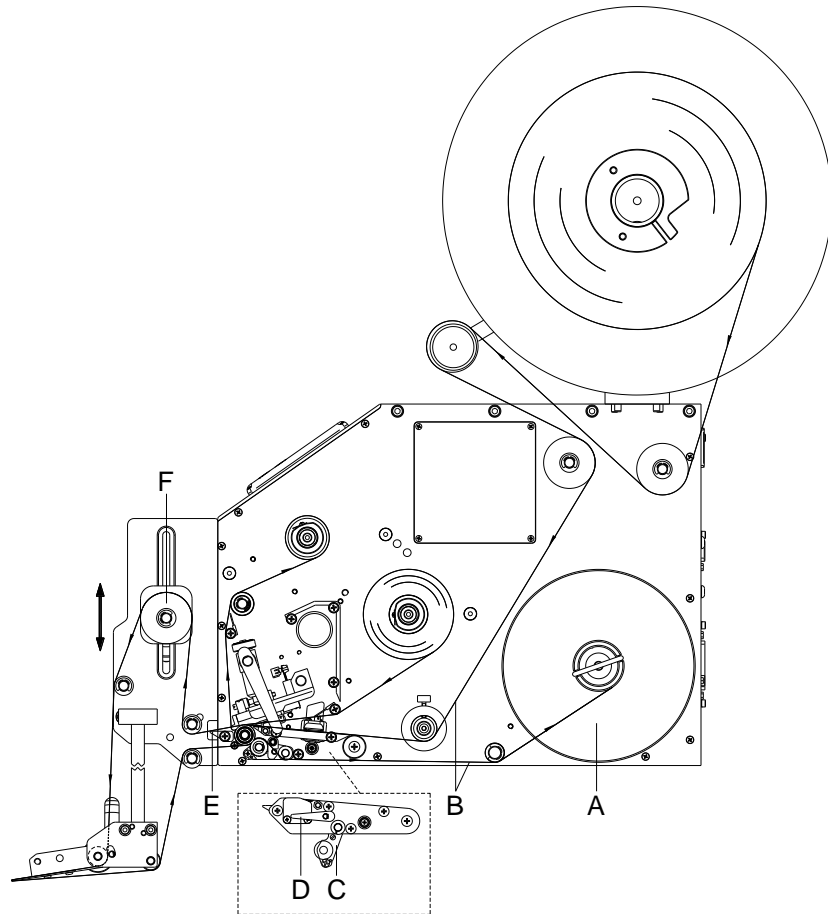


Figure 19

1. Load the label material (B) according to the label run up to the dispenser edge (E) of the printing system.



NOTICE!

For a detailed description for inserting material into the printing system please refer to the chapter *Inserting Material* in the operating manual of the printing system.

2. Move the return pulley (F) of the displacement unit upwards against the stop for a better positioning of the label material (see chapter 5.6, page 34).
3. Pull out the label material as long as it reaches to the backing paper rewriter (A).
4. Remove all labels from the pulled out label material.
5. Insert the backing paper in arrow direction into the wipe-on applicator. Guide the backing paper according to the operating manual of the printing system to the rewriter (A).

6. Align the label guiding (B) to the material width (see illustration below).

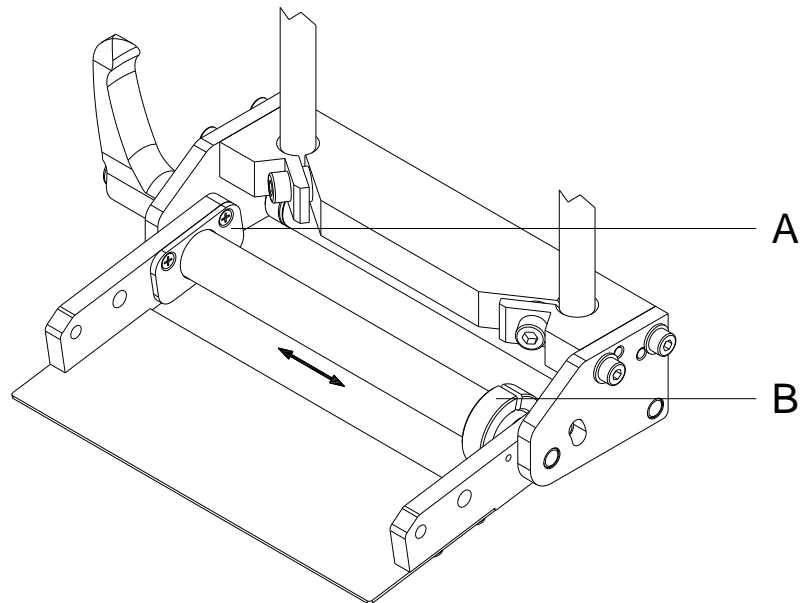


Figure 20



CAUTION!

If the label material is not even inserted, this can lead to a bad printout.

- ⇒ The inner label guiding (A) represents the stop for the label material. The label material must be positioned even at the label guiding (A).
- ⇒ Align the adjustable label guiding (B) to the material width.

5.6 Adjust the Displacement Unit



NOTICE!

When changing the label height it is necessary to move the return pulley of displacement unit (F) in order to bring the beginning of the label material into a suitable apply position.

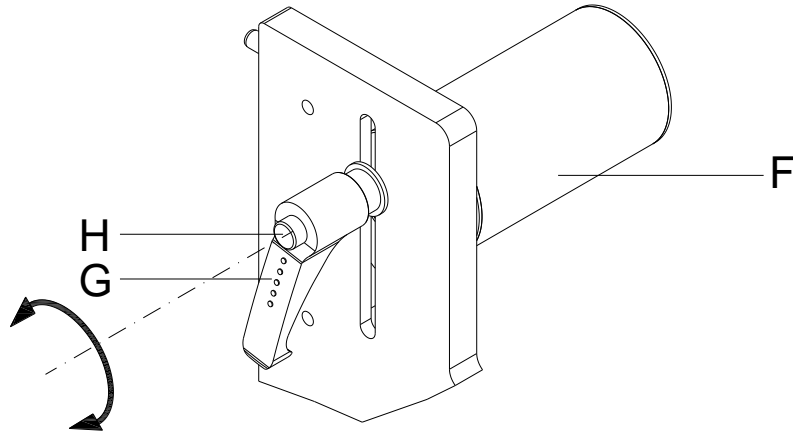


Figure 21



NOTICE!

The angle position of clamping lever (G) can be changed by pressing the disengaging knob (H).

1. Turn the clamping lever (G) against clockwise direction in order to loosen the return pulley of the displacement unit (F).
2. Push the displacement unit into the desired position.
3. Turn the clamping lever (G) in clockwise direction to tighten the return pulley of the registration unit (F).

6 Adjustments

6.1 Adjust the Dispensing Angle Continuously

6.1.1 Variable Version

Applies to wipe-on applicators:
5010, 5110 (ILX 5X) and
5210, 5310 (ILX 8X)

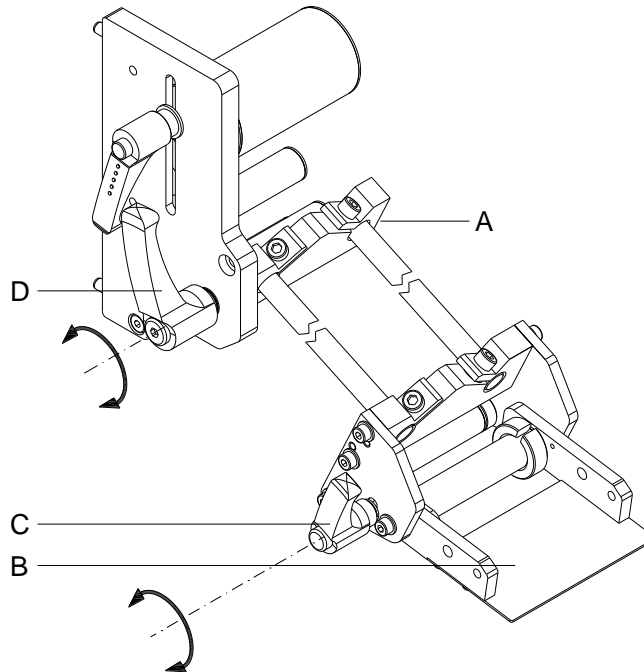


Figure 22

1. Move the dispensing rocker (D, Figure 13, page 26) forwards/upwards by pulling out the knurled knob (C, Figure 13, page 26).
2. Turn the clamping lever (D) against clockwise direction to loosen the mounting plate (A).
3. If required change the angle position of mounting plate (A).
4. Turn the clamping lever (D) in clockwise direction to tighten the position of mounting plate (A).



NOTICE!

With the mounting plate (A) the angle position of the dispensing edge is adjusted continuously, to align the dispensing edge to the product. A fine adjustment can be made additionally at the dispensing edge directly.

5. Turn the internal rewriter (A, Figure 13, page 26) of the printing module as long as the backing paper is tightened.
6. Press the dispensing rocker (D, Figure 13, page 26) again upwards to engage.

Applies to wipe-on applicators:
5410, 5510 (ILX 10X)

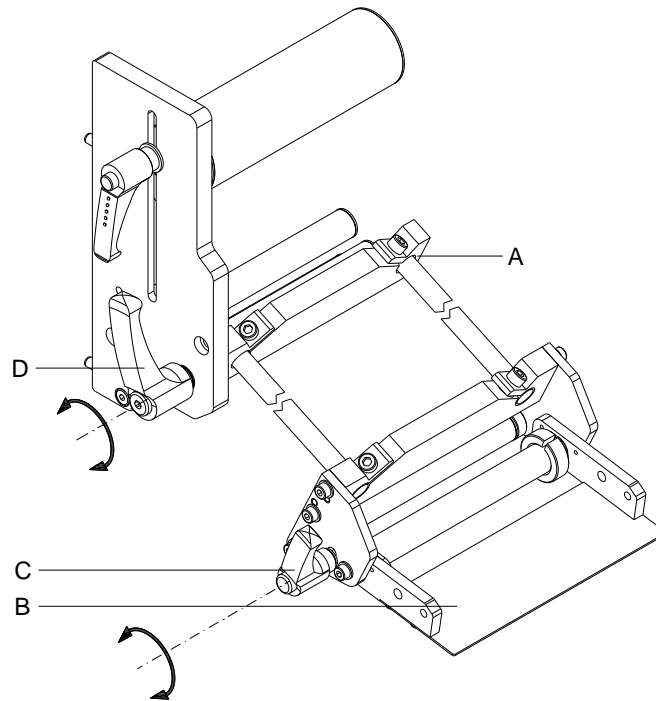


Figure 23

1. Move the dispensing rocker (C, Figure 15, page 28) forwards/downwards by pressing the lever (D, Figure 15, page 28) downwards.
2. Turn the clamping lever (D) against clockwise direction to loosen the mounting plate (A).
3. If required change the angle position of mounting plate (A).
4. Turn the clamping lever (D) in clockwise direction to tighten the position of mounting plate (A).



NOTICE!

With the mounting plate (A) the angle position of the dispensing edge is adjusted continuously, to align the dispensing edge to the product. A fine adjustment can be made additionally at the dispensing edge directly.

5. Turn the internal rewriter (A, Figure 15, page 28) of the printing module as long as the backing paper is again tensioned.
6. Press the dispensing rocker (C, Figure 15, page 28) again upwards and engage.

6.1.2 90 Degrees Version

Applies to wipe-on applicators:
5015, 5115 (ILX 5X)
5215, 5315 (ILX 8X)

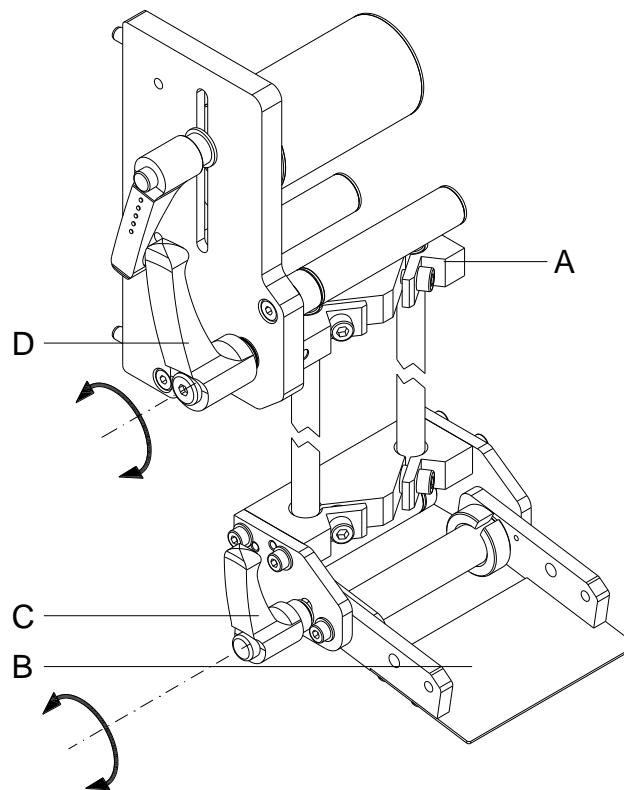


Figure 24

1. Move the dispensing rocker (D, Figure 17, page 30) forwards/upwards by pulling out the knurled knob (C, Figure 17, page 30).
2. Turn the clamping lever (D) against clockwise direction to loosen the mounting plate (A).
3. If required change the angle position of mounting plate (A).
4. Turn the clamping lever (D) in clockwise direction to tighten the position of mounting plate (A).



NOTICE!

With the mounting plate (A) the angle position of the dispensing edge is adjusted continuously, to align the dispensing edge to the product. A fine adjustment can be made additionally at the dispensing edge directly.

5. Turn the internal rewinder (A, Figure 17, page 30) of the printing module as long as the backing paper is tightened.
6. Press the dispenser rocker (D, Figure 17, page 30) again upwards and engage.

Applies to wipe-on
applicators:
5415, 5515 (ILX 10X)

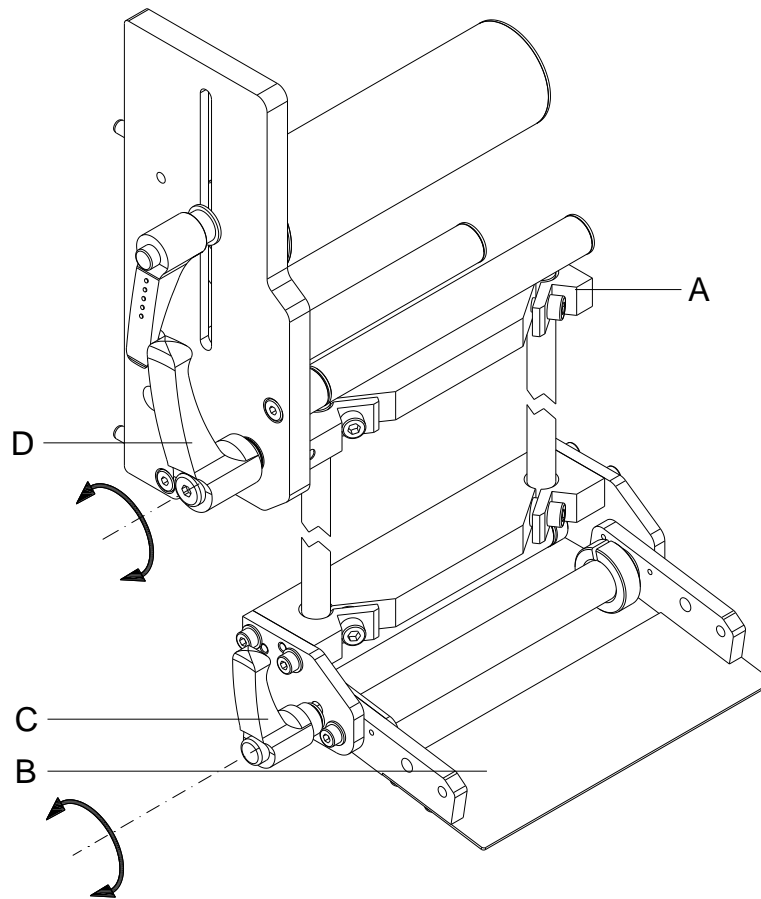


Figure 25

1. Move the dispensing rocker (C, Figure 19, page 32) forwards/downwards by pressing the lever (D, Figure 19, page 32) downwards.
2. Turn the clamping lever (D) against clockwise direction to loosen the mounting plate (A).
3. If required change the angle position of mounting plate (A).
4. Turn the clamping lever (D) in clockwise direction to tighten the position of mounting plate (A).



NOTICE!

With the mounting plate (A) the angle position of the dispensing edge is adjusted continuously, to align the dispensing edge to the product. A fine adjustment can be made additionally at the dispensing edge directly.

5. Turn the internal rewriter (A, Figure 19, page 32) of the printing module as long as the backing paper is again tensioned.
6. Press the dispensing rocker (C, Figure 19, page 32) again upwards and engage.

6.2 Fine-Adjust the Dispensing Angle

6.2.1 Variable Version

Applies to wipe-on applicators:
5010, 5110 (ILX 5X) and
5210, 5310 (ILX 8X)



NOTICE!

The angle of inclination of the dispensing edge (B, Figure 22, page 35) can be adjusted independently to the angle position (see page 35) by approx. 23 degrees.

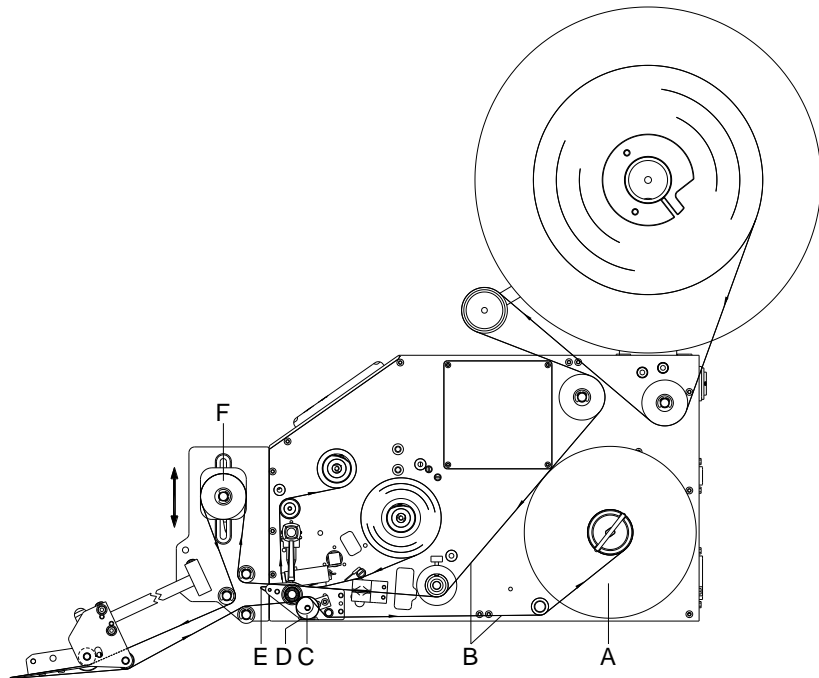


Figure 26

1. Move the dispensing rocker (D) forwards/downwards by pulling out the knurled knob (C,).
2. Turn the clamping lever (C, Figure 22, page 35) against clockwise direction to loosen the dispensing edge (B, Figure 22, page 35).
3. Change the angle position of the dispensing edge (B, Figure 22, page 35) as required.
4. Turn the clamping lever (C, Figure 22, page 35) in clockwise direction to fix the position of dispensing edge (B, Figure 22, page 35).
5. Turn the internal retractor (A) of the printing module as long as the backing paper is tightened.
6. Press the dispensing rocker (D) again upwards and engage.

Applies to wipe-on applicators:
5410, 5510 (ILX 10X)



NOTICE!

The angle of inclination of the dispensing edge (B, Figure 22, page 35) can be adjusted independently to the angle position (see page 35) by approx. 23 degrees.

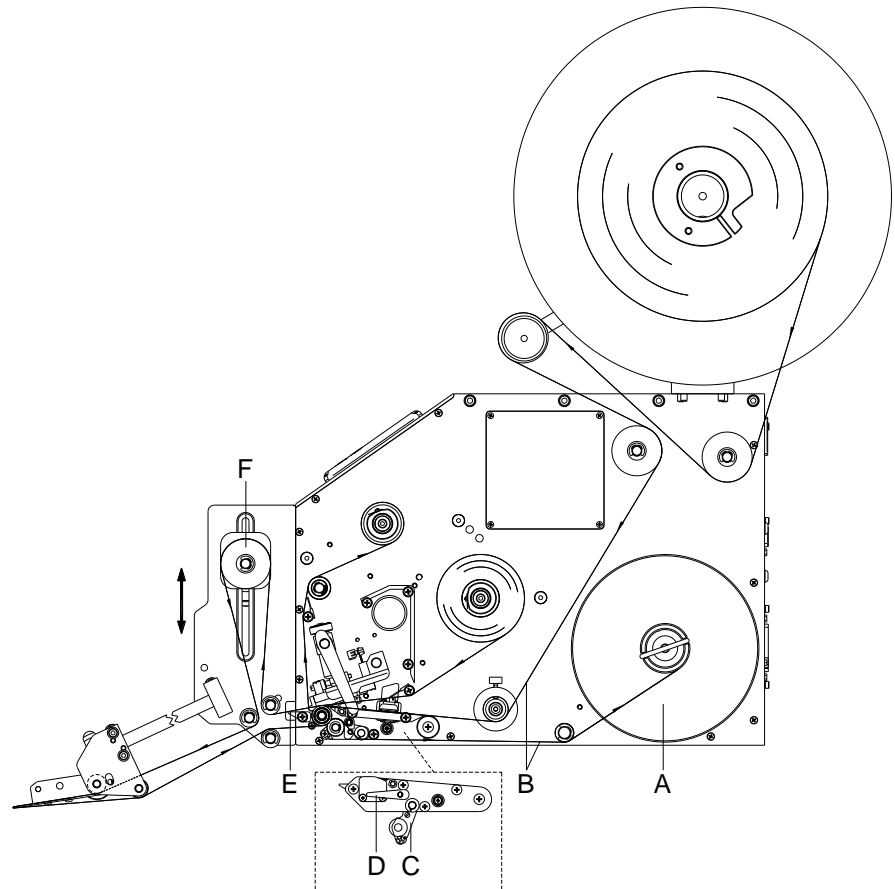


Figure 27

1. Move the dispensing rocker (D) forwards/downwards by pressing the lever (C) downwards.
2. Turn the clamping lever (C, Figure 23, page 36) against clockwise direction to loosen the dispensing edge (B, Figure 23, page 36).
3. Change the angle position of the dispensing edge (B, Figure 23, page 36) as required.
4. Turn the clamping lever (C, Figure 23, page 36) in clockwise direction to fix the position of dispensing edge (B, Figure 23, page 36).
5. Turn the internal rewriter (A) of the printing module as long as the backing paper is tightened.
6. Press the dispensing rocker (C) again upwards and engage.

6.2.2 90 Degrees Version

Applies to wipe-on applicators:

5015, 5115 (ILX 5X) and
5215, 5315 (ILX 8X)



NOTICE!

The angle of inclination of the dispensing edge (B, Figure 24, page 37) can be adjusted independently to the angle position (see page 37) by approx. 23 degrees.

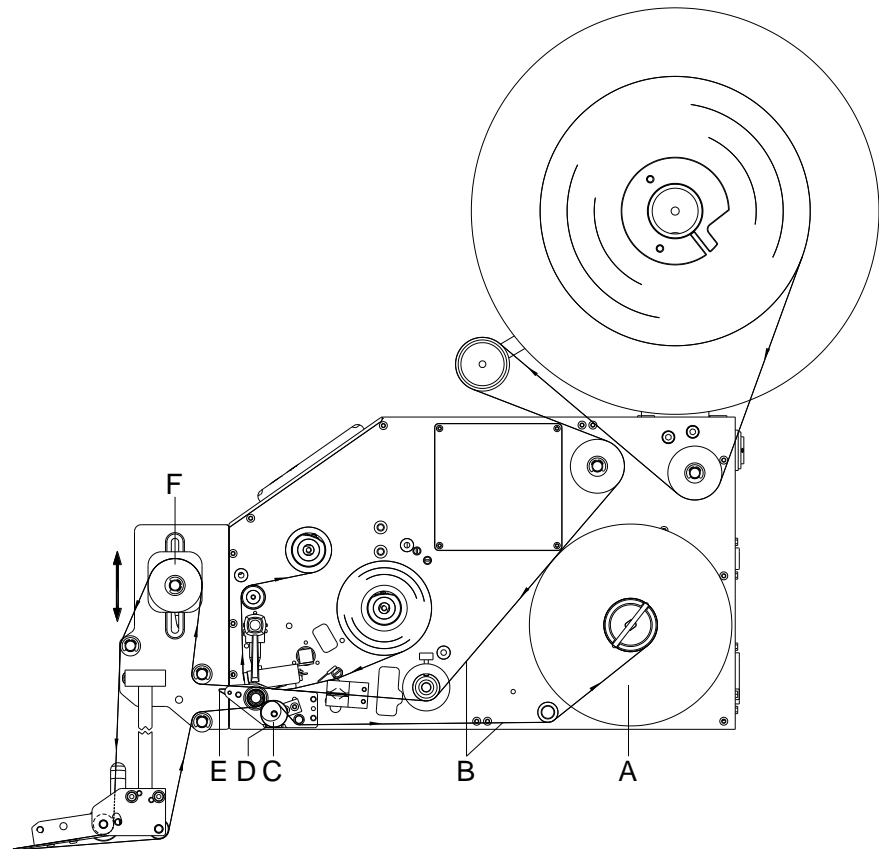


Figure 28

1. Move the dispensing rocker (D) forwards/downwards by pulling out the knurled knob (E).
2. Turn the clamping lever (C, Figure 24, page 37) against clockwise direction to loosen the dispensing edge (B, Figure 24, page 37).
3. Change the angle position of the dispensing edge (B, Figure 24, page 37) as required.
4. Turn the clamping lever (C, Figure 24, page 37) in clockwise direction to fix the position of dispensing edge (B, Figure 24, page 37).
5. Turn the internal rewriter (A) of the printing module as long as the backing paper is tightened.
6. Press the dispensing rocker (D, Figure 24, page 37) again upwards and engage.

Applies to wipe-on applicators:
5415, 5515 (ILX 10X)



NOTICE!

The angle of inclination of the dispensing edge (B, Figure 24, page 37) can be adjusted independently to the angle position (see page 37) by approx. 23 degrees.

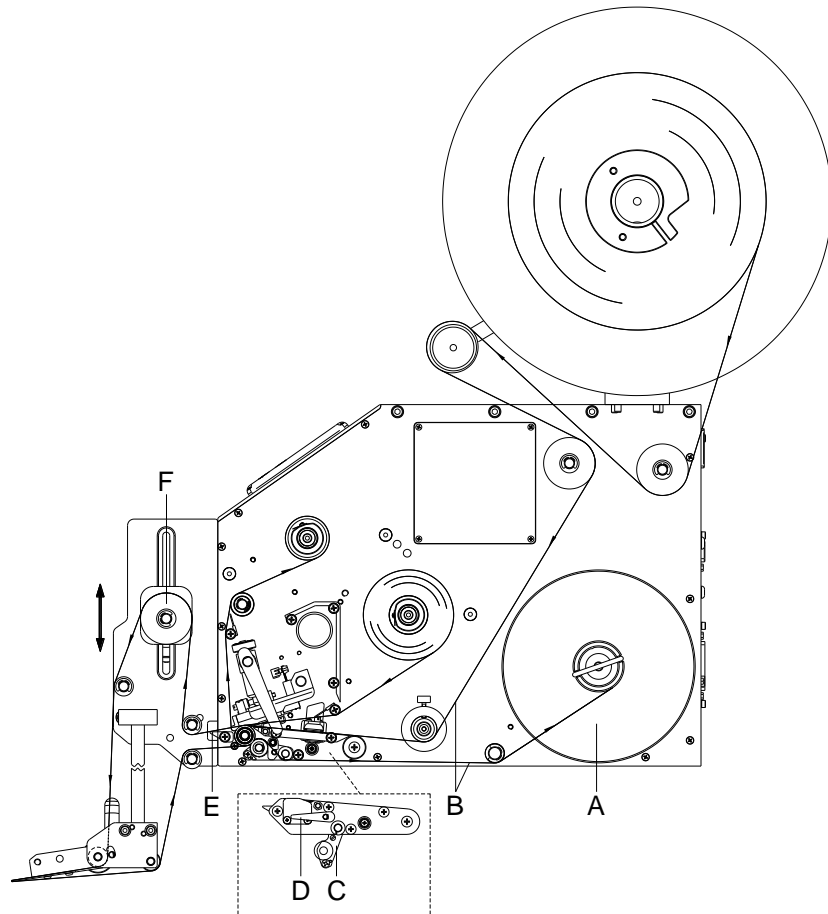


Figure 29

1. Move the dispensing rocker (C) forwards/downwards by pressing the lever (D).
2. Turn the clamping lever (C, Figure 24, page 37) against clockwise direction to loosen the dispensing edge (C, Figure 24, page 37).
3. Change the angle position of dispensing edge (B, Figure 24, page 37) as required.
4. Turn the clamping lever (C, Figure 24, page 37) in clockwise direction to fix the position of the dispensing edge (B, Figure 24, page 37).
5. Turn the internal retractor (A) of the printing module as long as the backing paper is tightened.
6. Press the dispensing rocker (C) again upwards and engage.

6.3 Adjust the Labelling Position

6.3.1 Variable Version

Applies to wipe-on applicators:
5010, 5110 (ILX 5X) and
5210, 5310 (ILX 8X)



NOTICE!

In order to operate the printing system with the wipe-on applicator in the dispenser mode, the dispenser offset must be set to 0.

For a detailed description for adjusting the dispenser offset, please refer to the chapter *Dispenser I/O* in the operating manual of the printing system.

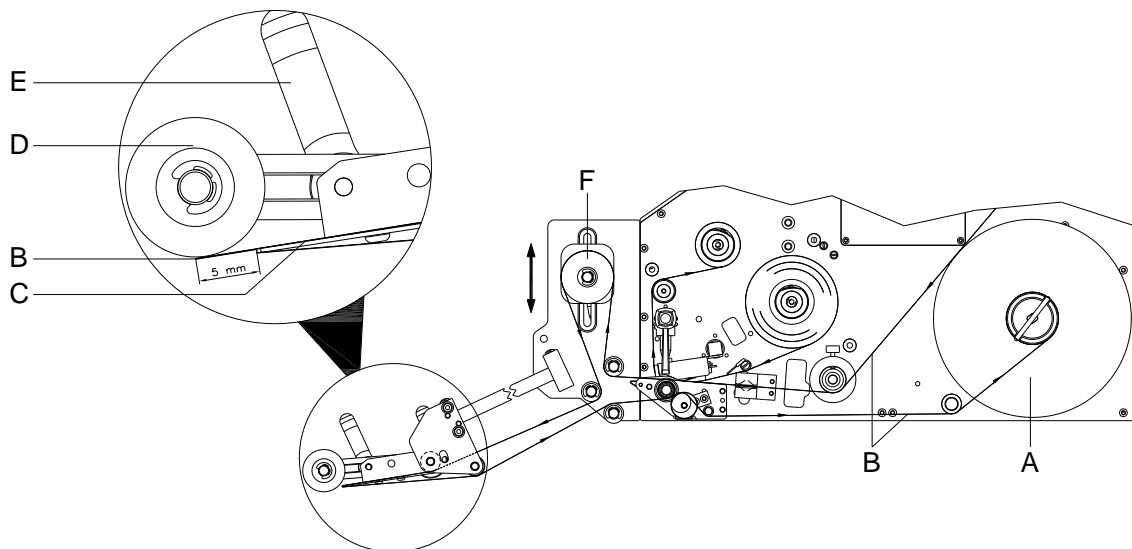



Figure 30

1. After correct inserting of the label material, press the key  to activate a test print or start a measuring procedure to determine the exact position of the label beginning. Confirm the test print as long as a label is over the dispensing edge (C) of the wipe-on applicator.
2. Adjust the dispensing position in such a way that the regular remove of the label from the backing paper (B) is ensured.
3. Loosen the return pulley by turning the clamping lever (G, Figure 21, page 34) against clockwise direction and then shift it slowly downwards.
4. At the same time, turn the internal rewinder (A) to tighten the backing paper (B).
Repeat this procedure as long as the label which is to be applied is removed from the backing paper (C) and exceeds the dispensing edge (C) approx. 5 mm.

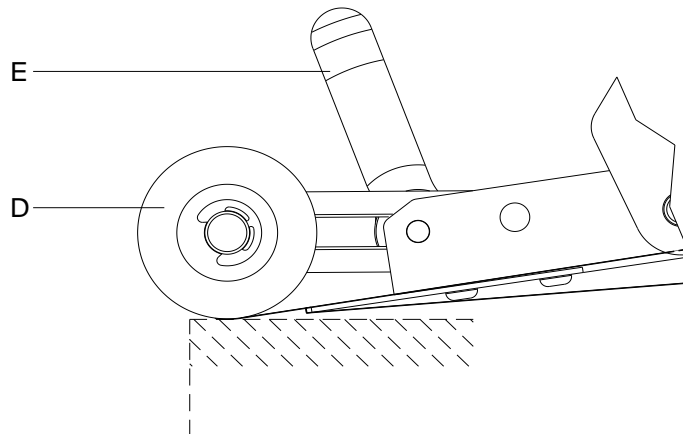


NOTICE!

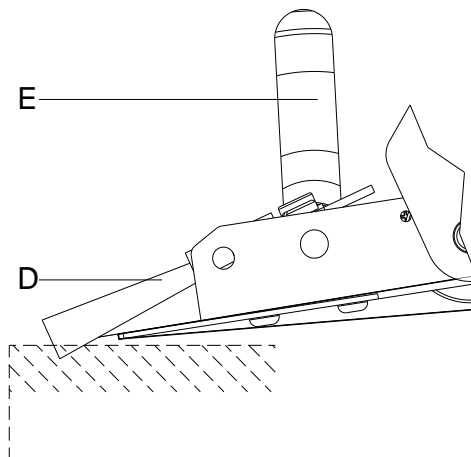
In order to tighten the backing paper (B) on the internal rewinder (A), before the dispenser rocker (D, Figure 13, page 26) must be moved forwards/upwards by pulling out the knurled knob (C, Figure 13, page 26).

When using the pressure roller

5. Adjust the position of pressure roller (D) with the clamping lever (E) in such a way that the roller and the label touch themselves lightly. In this way the transfer of label to the product to be labelled is supported.

**Figure 31****When using the pressure brush**

6. The pressure brush (D) is to be installed at a position at which the label and the product touch each other.

**Figure 32**

Applies to wipe-on applicators:
5410, 5510 (ILX 10X)



NOTICE!

In order to operate the printing system with the wipe-on applicator in the dispenser mode, the dispenser offset must be set to 0.

For a detailed description for adjusting the dispenser offset, please refer to the chapter *Dispenser I/O* in the operating manual of the printing system.

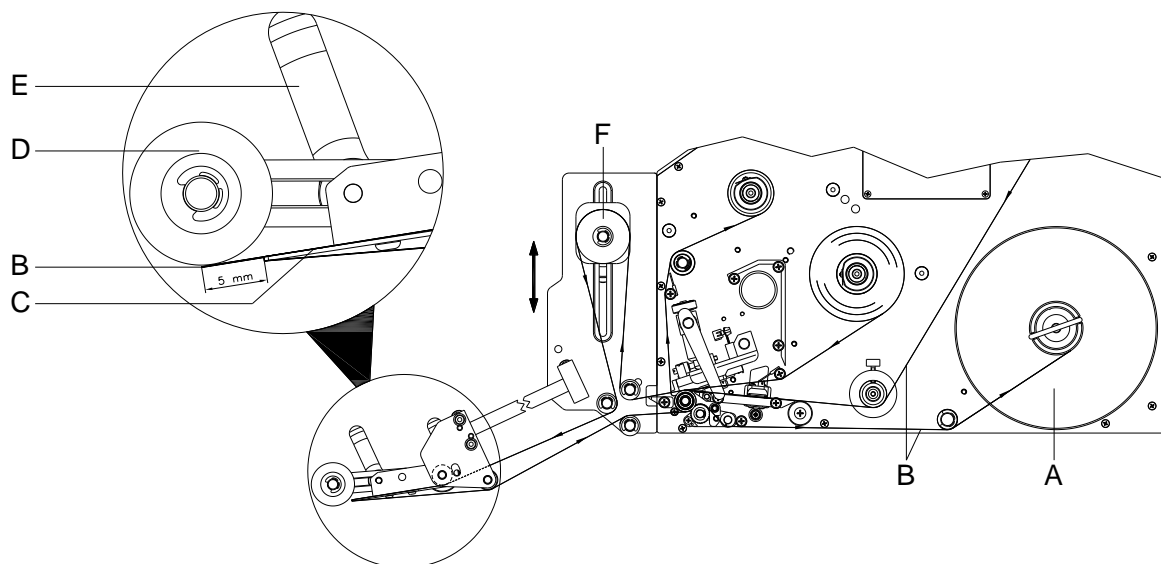



Figure 33

1. After correct inserting of the label material, press the key  to activate a test print or start a measuring procedure to determine the exact position of the label beginning. Confirm the test print as long as a label is over the dispensing edge (C) of the wipe-on applicator.
2. Adjust the dispensing position in such a way that the regular remove of the label from the backing paper (B) is ensured.
3. Loosen the return pulley by turning the clamping lever (G, Figure 21, page 34) against clockwise direction and then shift it slowly downwards.
4. At the same time, turn the internal rewinder (A) to tighten the backing paper (B). Repeat this procedure as long as the label which is to be applied is removed from the backing paper (B) and exceeds the dispensing edge (C) approx. 5 mm.

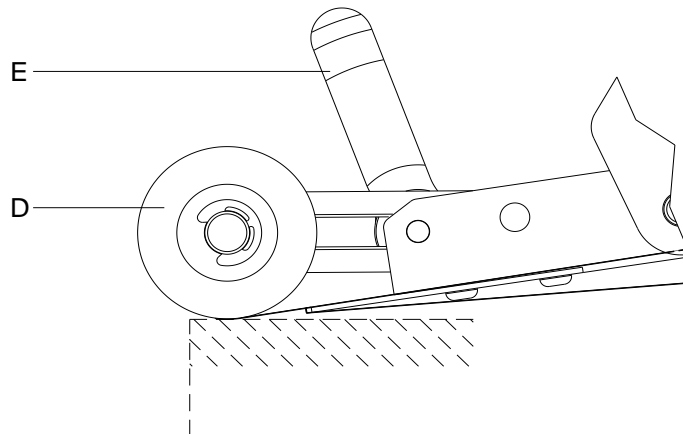


NOTICE!

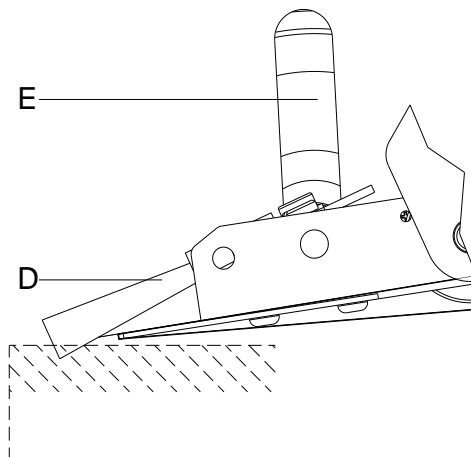
In order to tighten the backing paper (B) on the internal rewinder (A), before the dispenser rocker (C, Figure 15, page 28) must be moved forwards/downwards by pulling out the knurled knob (D, Figure 15, page 28).

When using the pressure roller

5. Adjust the position of pressure roller (D) with the clamping lever (E) in such a way that the roller and the label touch themselves lightly.
In this way the transfer of label to the product to be labelled is supported.

**Figure 34****When using the pressure brush**

6. The pressure brush (D) is to be installed at a position at which the label and the product touch each other.

**Figure 35**

6.3.2 90 Degrees Version

Applies to wipe-on applicators:
5015, 5115 (ILX 5X) und
5215, 5315 (ILX 8X)



NOTICE!

In order to operate the printing system with the wipe-on applicator in the dispenser mode, the dispenser offset must be set to 0.

For a detailed description for adjusting the dispenser offset, please refer to the chapter *Dispenser I/O* in the operating manual of the printing system.

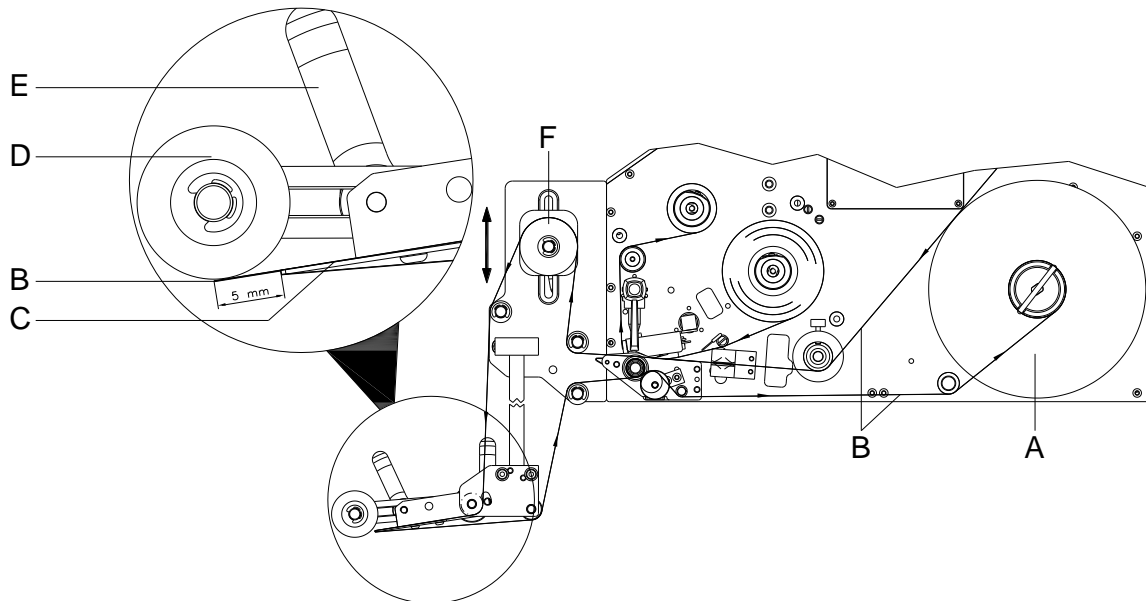



Figure 36

1. After correct inserting of the label material, press the key  to activate a test print or start a measuring procedure to determine the exact position of the label beginning. Confirm the test print as long as a label is over the dispensing edge (C) of the wipe-on applicator.
2. Adjust the dispensing position in such a way that the regular remove of the label from the backing paper (B) is ensured.
3. Loosen the return pulley by turning the clamping lever (G, Figure 21, page 34) against clockwise direction and then shift it slowly downwards.
4. At the same time, turn the internal rewriter (A) to tighten the backing paper (B). Repeat this procedure as long as the label which is to be applied is removed from the backing paper (B) and exceeds the dispensing edge (C) approx. 5 mm.

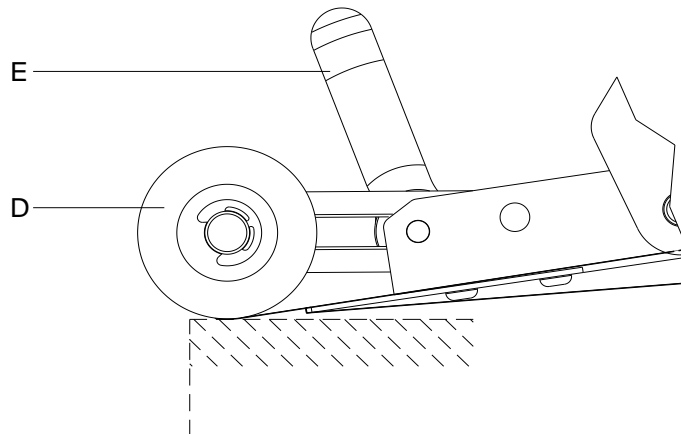


NOTICE!

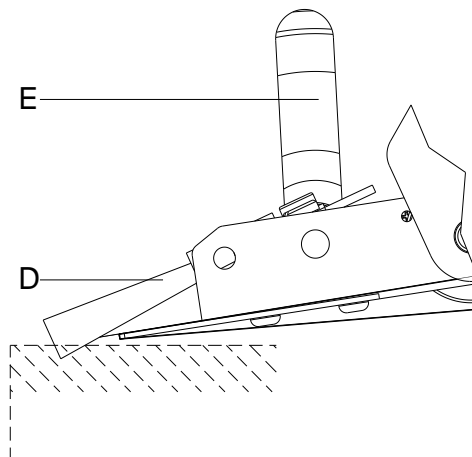
In order to tighten the backing paper (B) on the internal rewriter (A), before the dispenser rocker (D, Figure 17, page 30) must be moved forwards/downwards by pulling out the knurled knob (C, Figure 17, page 30).

When using the pressure roller

5. Adjust the position of pressure roller (D) with the clamping lever (E) in such a way that the roller and the label touch themselves lightly.
In this way the transfer of label to the product to be labelled is supported.

**Figure 37****When using the pressure brush**

6. The pressure brush (D) is to be installed at a position at which the label and the product touch each other.

**Figure 38**

Applies to wipe-on applicators:
5415, 5515 (ILX 10X)



NOTICE!

In order to operate the printing system with the wipe-on applicator in the dispenser mode, the dispenser offset must be set to 0.

For a detailed description for adjusting the dispenser offset, please refer to the chapter *Dispenser I/O* in the operating manual of the printing system.

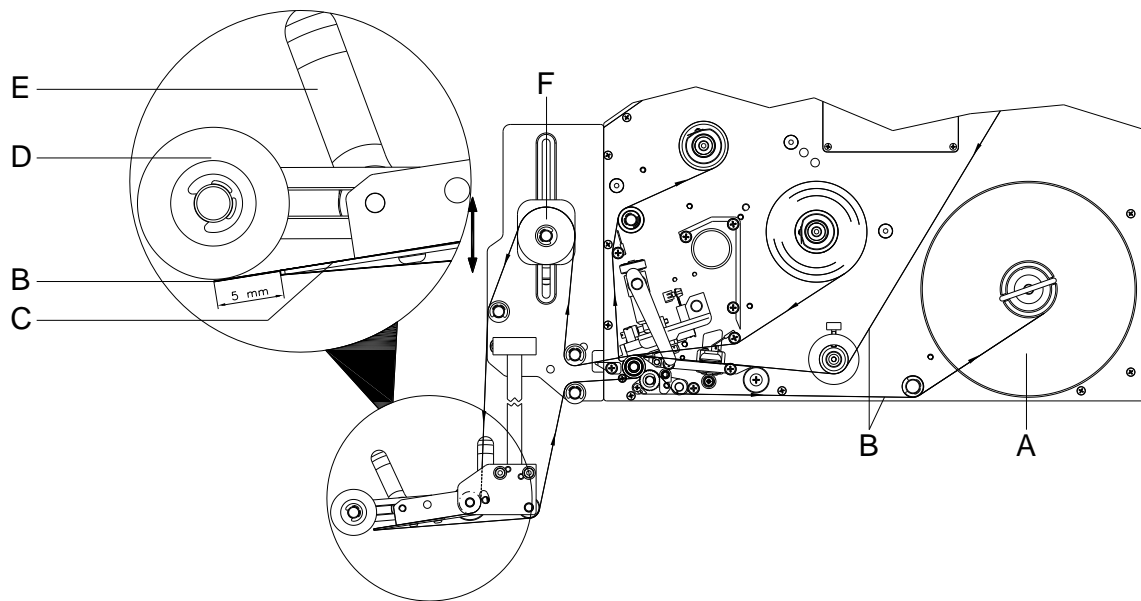



Figure 39

1. After correct inserting of the label material, press the key  to activate a test print or start a measuring procedure to determine the exact position of the label beginning. Confirm the test print as long as a label is over the dispensing edge (C) of the wipe-on applicator.
2. Adjust the dispensing position in such a way that the regular remove of the label from the backing paper (B) is ensured.
3. Loosen the return pulley by turning the clamping lever (G, Figure 21, page 34) against clockwise direction and then shift it slowly downwards.
4. At the same time, turn the internal rewinder (A) to tighten the backing paper (B). Repeat this procedure as long as the label which is to be applied is removed from the backing paper (B) and exceeds the dispensing edge (C) approx. 5 mm.

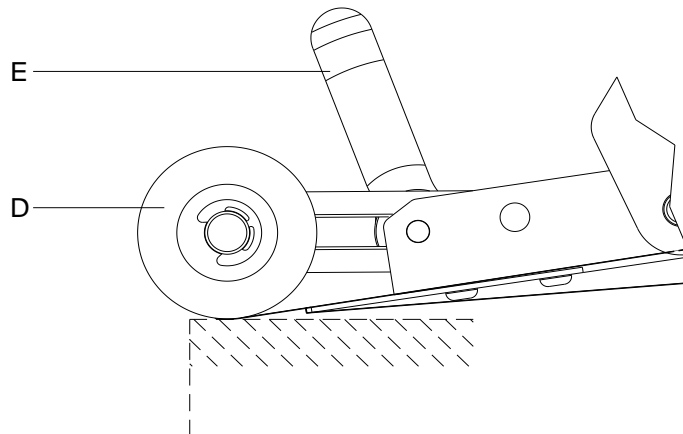


NOTICE!

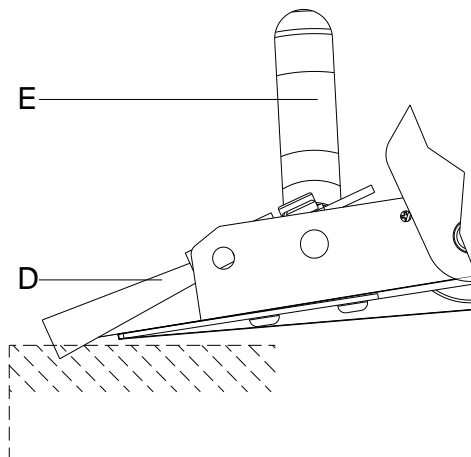
In order to tighten the backing paper (B) on the internal rewinder (A), before the dispenser rocker (C, Figure 19, page 32) must be moved forwards/downwards by pulling out the knurled knob (D, Figure 19, page 32).

When using the pressure roller

5. Adjust the position of pressure roller (D) with the clamping lever (E) in such a way that the roller and the label touch themselves lightly. In this way the transfer of label to the product to be labelled is supported.

**Figure 40****When using the pressure brush**

6. The pressure brush (D) is to be installed at a position at which the label and the product touch each other.

**Figure 41**

7 Adjusting Problems

Friction label material and backing paper

Dependent on the used length of holding shafts (D) and the installation position of printing module, limit cases can occur. The limit cases can lead to the fact that the label material (E) cannot be led any longer barrier-free whereby a damage of the printed label surface can appear.

For the limit case illustrated below, the label material (E) and the backing paper (C) touch themselves around the return pulley (B). In order to avoid a permanent contact, the insertion scheme should be changed according to Figure 43. For this purpose, guide the backing paper (C) under the return pulley (A).

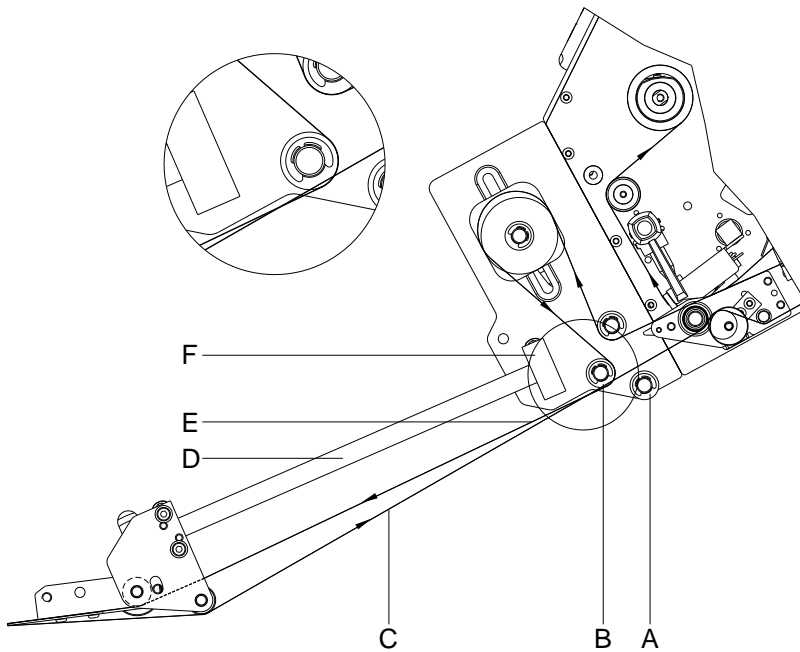


Figure 42

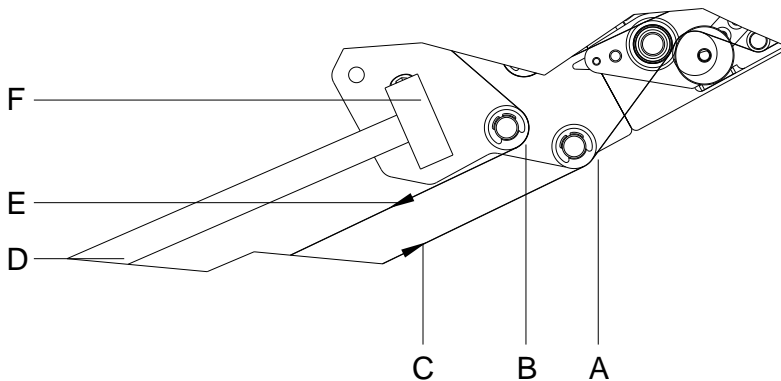


Figure 43

Steep position of printing system

In accordance with limit case 1 (friction label material and backing paper), if a more steeper adjustment of the dispensing angle is made to the mounting situation of the printing system, the position of the label material (B) which is to be applied moves towards the mounting plate (A). For this purpose it is a permanent contact, whereby the label material (B) can tear and/or the printed label surface can be damaged. If such a limit case is reached by the combination of used holding shafts and the installation position of the printing system, no more labels can be dispensed.

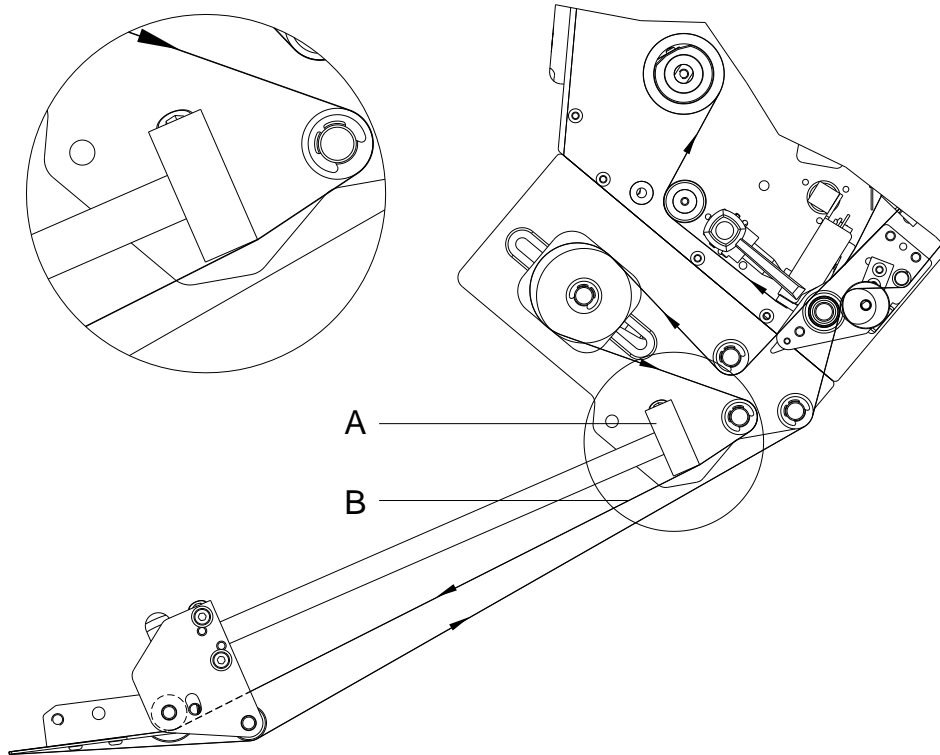


Figure 44

Position of displacement unit

Dependent on the length of the used holding shafts, the buffer length from the printhead of printing system to the dispensing edge of wipe-on applicator. Furthermore the buffer length is affected by the installation position of the printing system with the wipe-on applicator. Due to the variety of different buffer lengths result several maximum label heights, which must be concerned in individual cases.

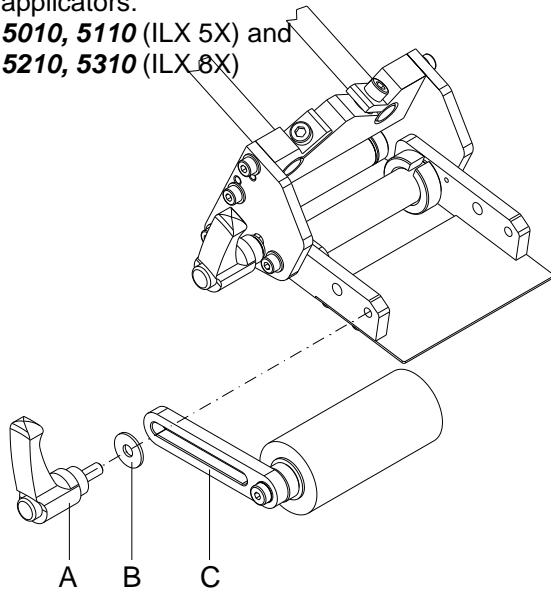
8 Options

8.1 Install the Pressure Roller

8.1.1 Variable Version

Applies to wipe-on applicators:

5010, 5110 (ILX 5X) and
5210, 5310 (ILX 8X)

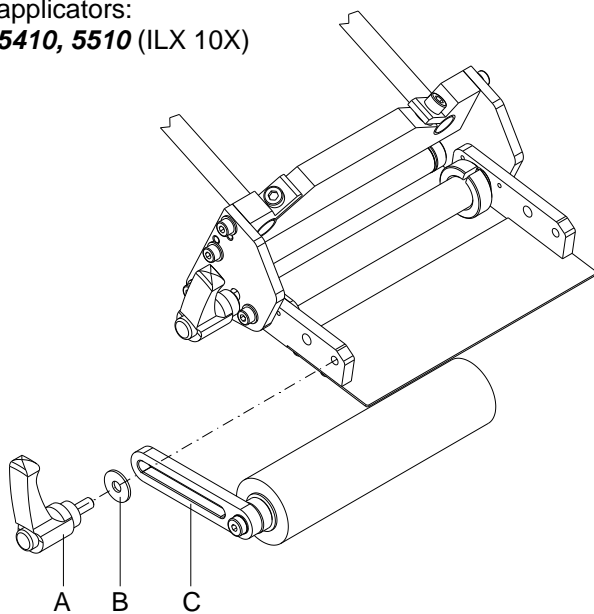


Fix the pressure roller (C) with the washer (B) and clamping lever (A) to the wipe-on applicator.

Figure 45

Applies to wipe-on applicators:

5410, 5510 (ILX 10X)

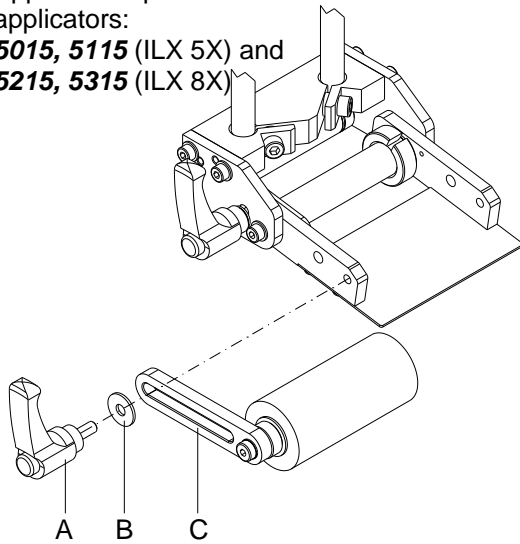


Fix the pressure roller (C) with the washer (B) and clamping lever (A) to the wipe-on applicator.

Figure 46

8.1.2 90 Degrees Version

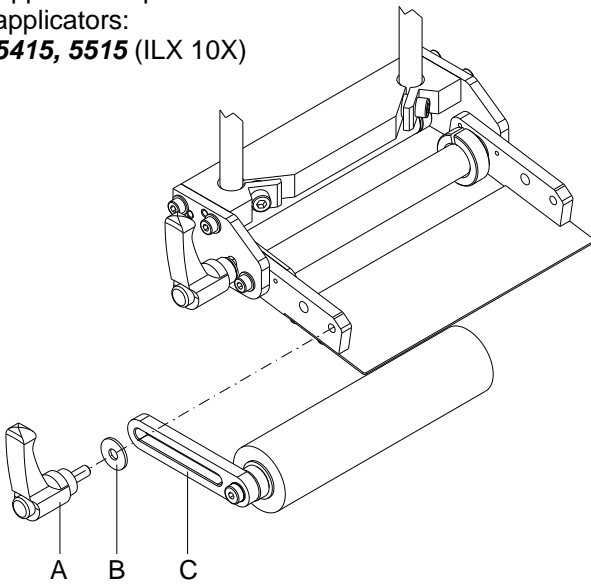
Applies to wipe-on applicators:
5015, 5115 (ILX 5X) and
5215, 5315 (ILX 8X)



Fix the pressure roller (C) with the washer (B) and clamping lever (A) to the wipe-on applicator.

Figure 47

Applies to wipe-on applicators:
5415, 5515 (ILX 10X)



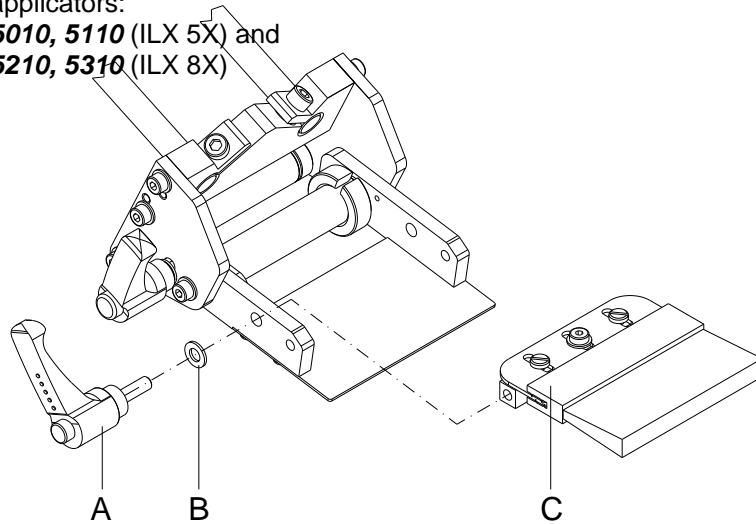
Fix the pressure roller (C) with the washer (B) and clamping lever (A) to the wipe-on applicator.

Figure 48

8.2 Install the Pressure Brush

8.2.1 Variable Version

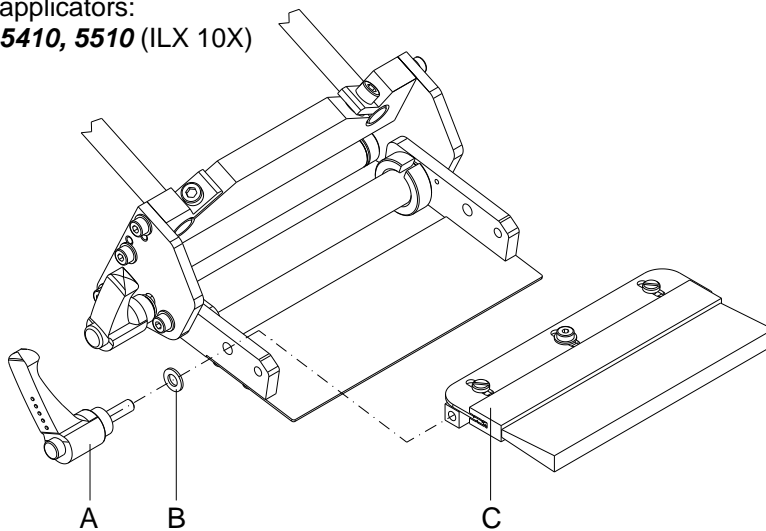
Applies to wipe-on applicators:
5010, 5110 (ILX 5X) and
5210, 5310 (ILX 8X)



Fix the pressure brush (C) with the washer (B) and clamping lever (A) to the wipe-on applicator.

Figure 49

Applies to wipe-on applicators:
5410, 5510 (ILX 10X)

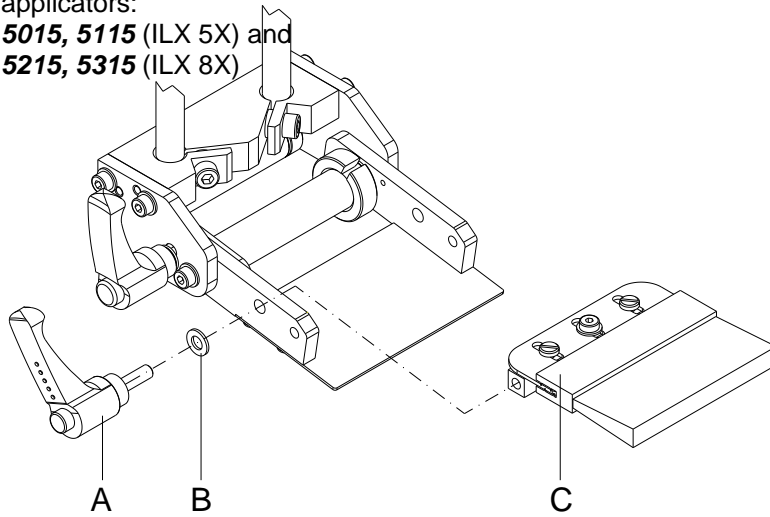


Fix the pressure brush (C) with the washer (B) and clamping lever (A) to the wipe-on applicator.

Figure 50

8.2.2 90 Degrees Version

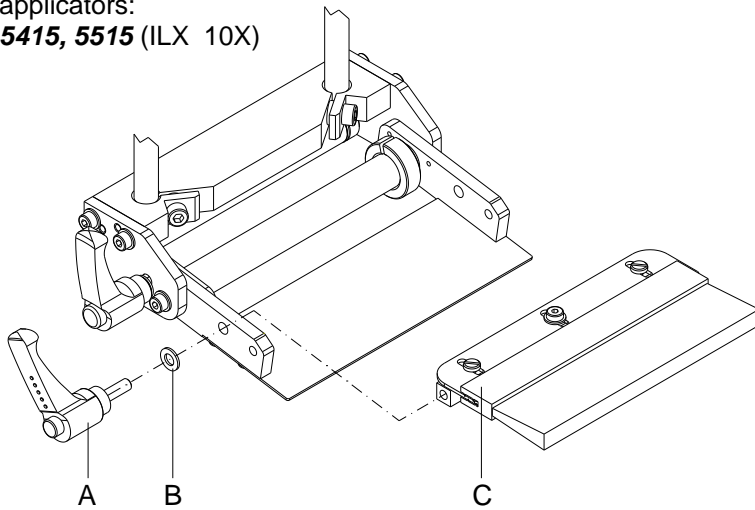
Applies to wipe-on applicators:
5015, 5115 (ILX 5X) and
5215, 5315 (ILX 8X)



Fix the pressure brush (C) with the washer (B) and clamping lever (A) to the wipe-on applicator.

Figure 51

Applies to wipe-on applicators:
5415, 5515 (ILX 10X)



Fix the pressure brush (C) with the washer (B) and clamping lever (A) to the wipe-on applicator.

Figure 52

8.3 Adjust the Pressure Roller

8.3.1 Variable Version

Applies to wipe-on applicators:
5010, 5110 (ILX 5X) and
5210, 5310 (ILX 8X)

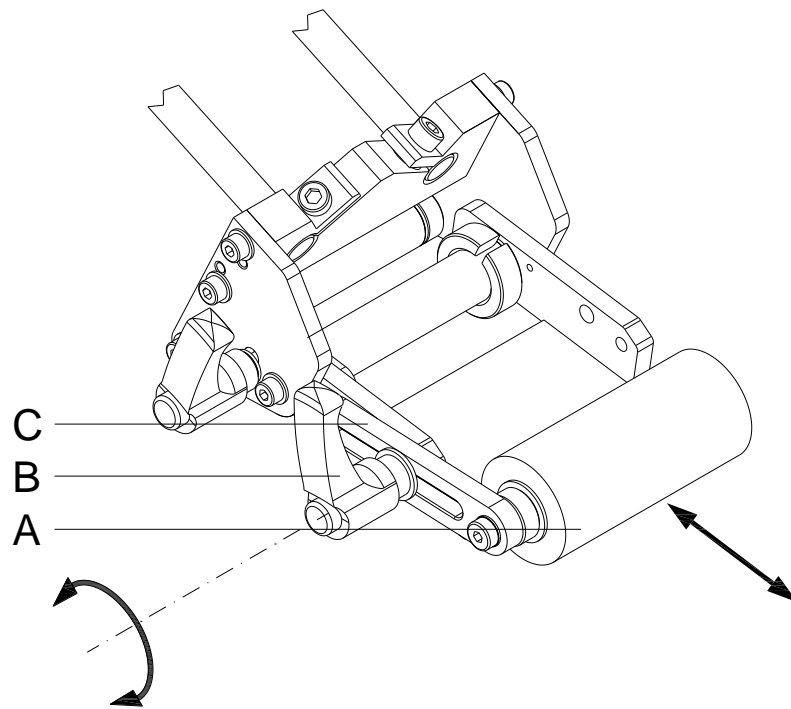


Figure 53



NOTICE!

The adjustments take place in depending on the label material and the product surface.

1. Loosen the clamping lever (B) to change the position of pressure roller (A).
2. Displace the pressure roller (A) along the oblong hole in the lever (C).
3. If necessary, change the angle position of the pressure roller (A) in the centre of rotation of the clamping lever (B).

Applies to wipe-on applicators:
5410, 5510 (ILX 10X)

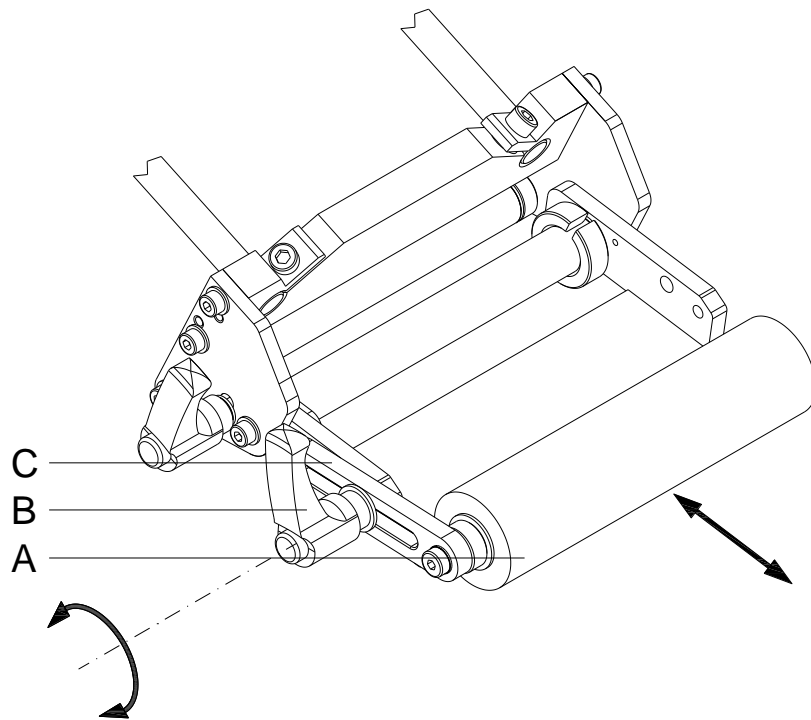


Figure 54



NOTICE!

The adjustments take place in depending on the label material and the product surface.

1. Loosen the clamping lever (B) to change the position of pressure roller (A).
2. Displace the pressure roller (A) along the oblong hole in the lever (C).
3. If necessary, change the angle position of the pressure roller (A) in the centre of rotation of the clamping lever (B).

8.3.2 90 Degrees Version

Applies to wipe-on applicators:

5015, 5115 (ILX 5X) and
5215, 5315 (ILX 8X)

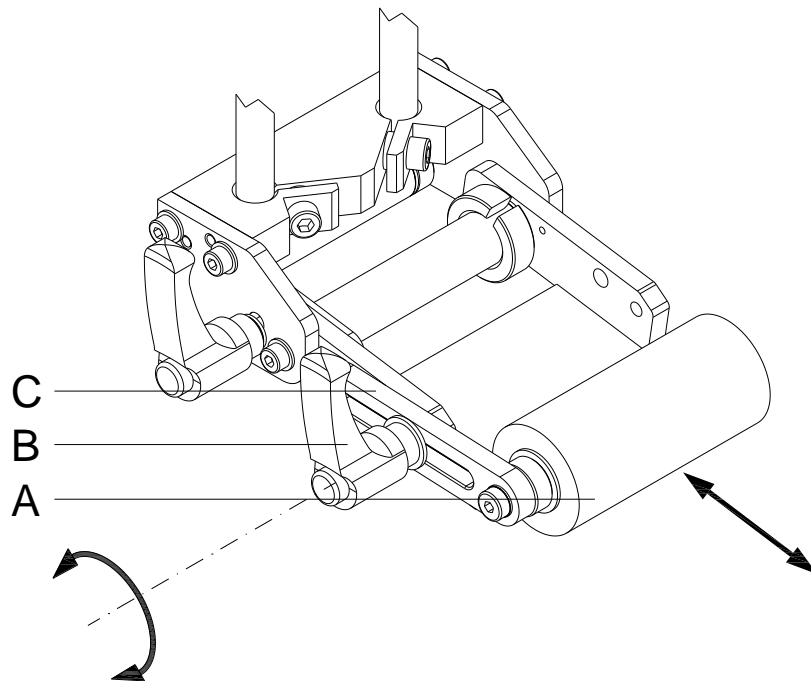


Figure 55



NOTICE!

The adjustments take place in depending on the label material and the product surface.

1. Loosen the clamping lever (B) to change the position of pressure roller (A).
2. Displace the pressure roller (A) along the oblong hole in the lever (C).
3. If necessary, change the angle position of the pressure roller (A) in the centre of rotation of the clamping lever (B).

Applies to wipe-on
applicators:
5415, 5515 (ILX 10X)

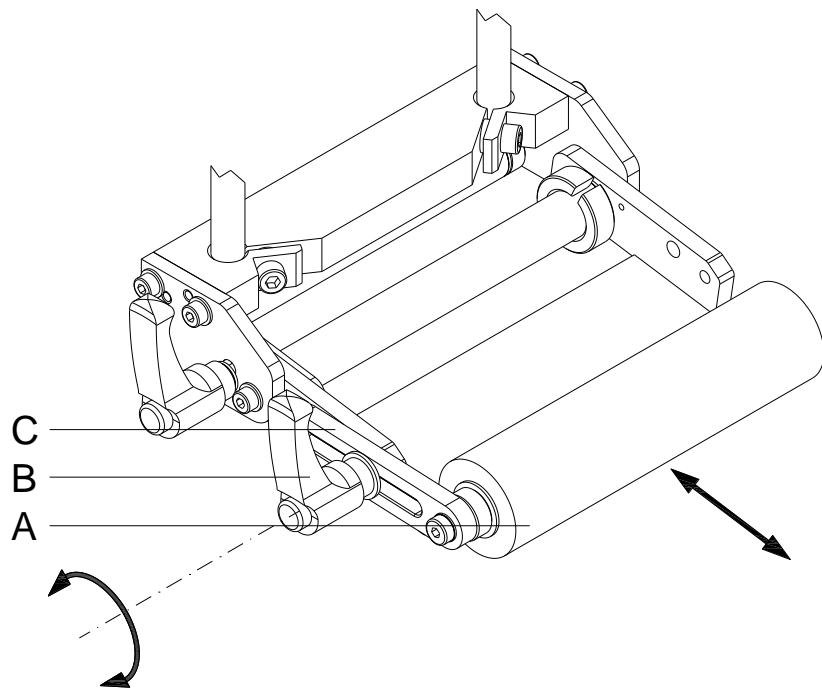


Figure 56



NOTICE!

The adjustments take place in depending on the label material and the product surface.

1. Loosen the clamping lever (B) to change the position of pressure roller (A).
2. Displace the pressure roller (A) along the oblong hole in the lever (C).
3. If necessary, change the angle position of the pressure roller (A) in the centre of rotation of the clamping lever (B).

8.4 Adjust the Pressure Brush

8.4.1 Variable Version

Applies to wipe-on applicators:
5010, 5110 (ILX 5X) and
5210, 5310 (ILX 8X)

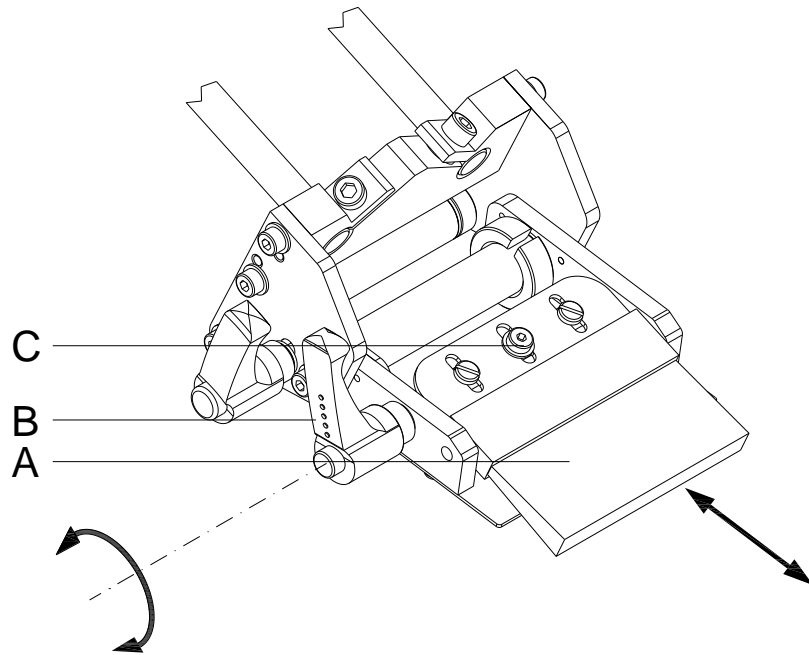


Figure 57



NOTICE!

The adjustments take place in depending on the label material and the product surface.

1. Loosen the screw (C) to change the position of pressure brush (A).
2. Move the pressure brush (A) along the elongated holes. Displacement in dispensing direction increases the pressure. Displacement against the dispensing direction decreases the pressure.
3. Tighten the screw (C).
4. If necessary change the angle position of pressure brush (A) in the pivot axis of the clamping lever (B).

Applies to wipe-on
applicators:
5410, 5510 (ILX 10X)

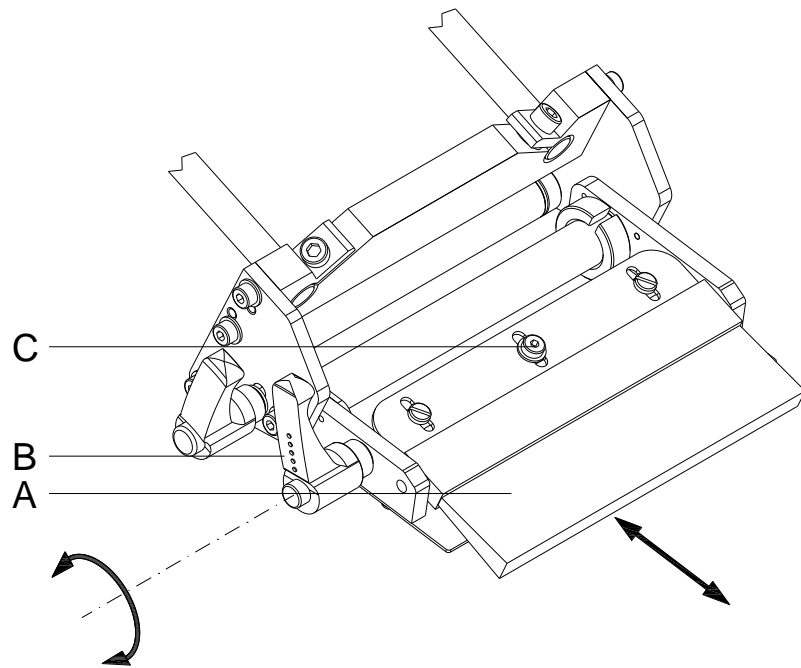


Figure 58



NOTICE!

The adjustments take place in depending on the label material and the product surface.

1. Loosen the screw (C) to change the position of pressure brush (A).
2. Move the pressure brush (A) along the elongated holes. Displacement in dispensing direction increases the pressure. Displacement against the dispensing direction decreases the pressure.
3. Tighten the screw (C).
4. If necessary change the angle position of pressure brush (A) in the pivot axis of the clamping lever (B).

8.4.2 90 Degrees Version

Applies to wipe-on applicators:

5015, 5115 (ILX 5X) and
5215, 5315 (ILX 8X)

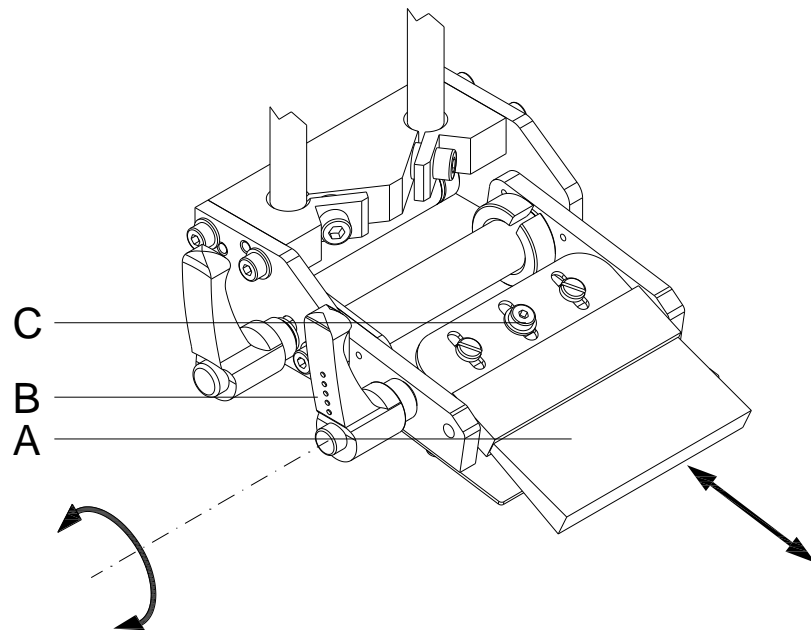


Figure 59



NOTICE!

The adjustments take place in depending on the label material and the product surface.

1. Loosen the screw (C) to change the position of pressure brush (A).
2. Move the pressure brush (A) along the elongated holes. Displacement in dispensing direction increases the pressure. Displacement against the dispensing direction decreases the pressure.
3. Tighten the screw (C).
4. If necessary change the angle position of pressure brush (A) in the pivot axis of the clamping lever (B).

Applies to wipe-on
applicators:
5415, 5515 (ILX 10X)

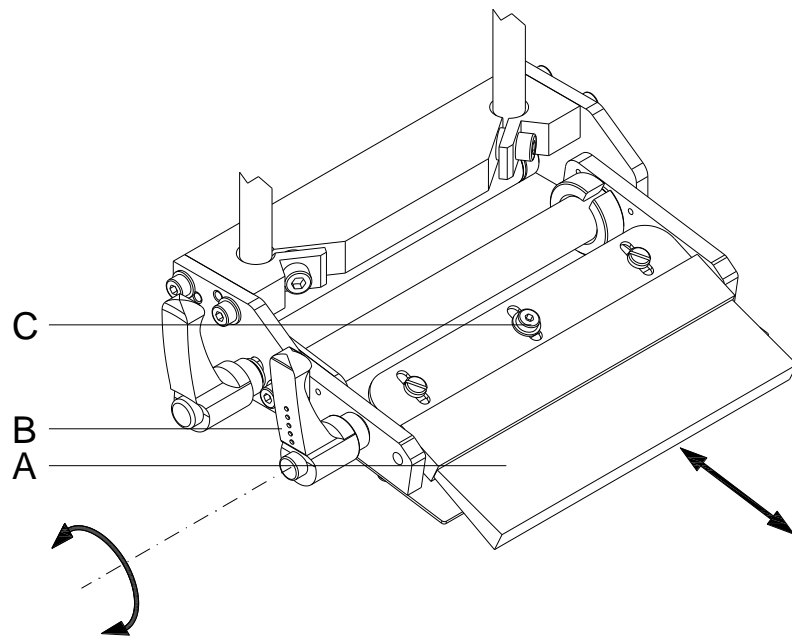


Figure 60



NOTICE!

The adjustments take place in depending on the label material and the product surface.

1. Loosen the screw (C) to change the position of pressure brush (A).
2. Move the pressure brush (A) along the elongated holes. Displacement in dispensing direction increases the pressure. Displacement against the dispensing direction decreases the pressure.
3. Tighten the screw (C).
4. If necessary change the angle position of pressure brush (A) in the pivot axis of the clamping lever (B).

8.5 Product Sensor

The 'product sensor' option is used for optical, contact-free registration of products in order to obtain input signals for the printing system.

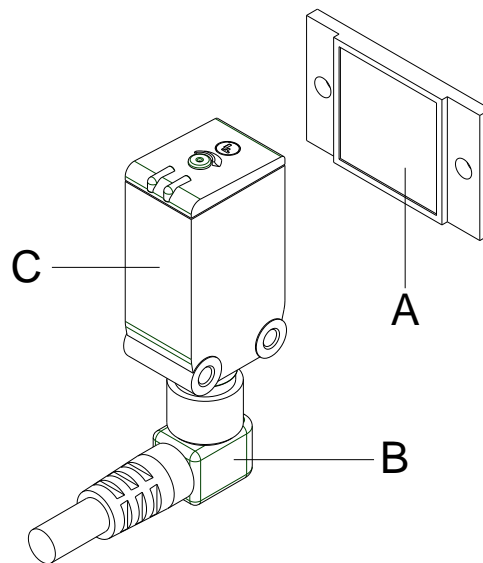


Figure 61

A = Reflector

B = Connecting line

C = Reflexion photocell

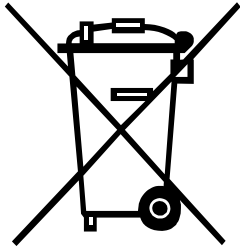


NOTICE!

When using reflection photocells, please observe that other light (e.g. working lamp) on the photocell is prevented.

1. Connect the connecting line (B) of the reflection photocell (C) to the I/O 24 interface.
2. Attach the reflector (A) at right angles with the reflection photocell (C).

9 Environmentally-Friendly Disposal



Manufacturers of B2B equipment are obliged to take back and dispose of old equipment that was manufactured after 13 August 2005. As a principle, this old equipment may not be delivered to communal collecting points. It may only be organised, used and disposed of by the manufacturer. Valentin products accordingly labelled can therefore be returned to Carl Valentin GmbH.

This way, you can be sure your old equipment will be disposed of correctly.

Carl Valentin GmbH thereby fulfils all obligations regarding timely disposal of old equipment and facilitates the smooth reselling of these products. Please understand that we can only take back equipment that is sent free of carriage charges.

The electronics board of the printing system is equipped with a battery. This must only be discarded in battery collection containers or by public waste management authorities.

Further information on the WEEE directive is available on our website www.carl-valentin.de.

10 Index

A

adjustments

dispensing angle, continous adjustment.....	35
dispensing angle, continuous adjustment.....	36, 37, 38
dispensing angle, fine adjustment	39, 40, 41, 42
labelling position	43, 44, 45, 46, 47, 48, 49, 50
pressure brush.....	61, 62, 63, 64
pressure roller.....	57, 58, 59, 60
problems	51, 52

D

dispensing angle, continuous adjustment	35, 36, 37, 38
dispensing angle, fine adjustment.....	39, 40, 41, 42
displacement unit, adjusting.....	34

E

environmentally-friendly disposal	67
---	----

F

function description	10
----------------------------	----

I

installation

connecting wipe-on applicator	18, 19, 20, 21, 22, 23, 24, 25
displacement unit, adjusting	34
label material, loading.....	26, 27, 28, 29, 30, 31, 32, 33
pressure brush.....	55, 56
pressure roller.....	53, 54
scope of delivery.....	17
transducer, connecting	17
unpacking	17
instructions	5
intended use.....	5, 6

L

label material, loading	26, 27, 28, 29, 30, 31, 32, 33
labelling position, adjusting	43, 44, 45, 46, 47, 48, 49, 50

O

options

pressure brush	
adjusting.....	61, 62, 63, 64
Installation	55, 56
pressure roller	
adjusting.....	57, 58, 59, 60
installation	53, 54
product sensor	65

overview

WMX 5010 / 5110 / 5210 / 5310.....	11
WMX 5015 / 5115 / 5215 / 5315.....	13
WMX 5410 / 5510.....	12
WMX 5415 / 5515.....	14

P	
problems, adjustments	51, 52
product designation	9
S	
safety instructions.....	6, 7
scope of delivery	17
T	
technical data	15
transducer, connecting	17
U	
unpacking	17
W	
wipe-on applicator, connecting.....	18, 19, 20, 21, 22, 23, 24, 25
WMX 5010 / 5110 / 5210 / 5310	
dispensing angle, continuous adjustment.....	35
dispensing angle, fine adjustment	39
label material, loading.....	26, 27
labelling position, adjusting.....	43, 44
overview.....	11
pressure brush (option), adjusting	61
pressure brush (option), installing	55
pressure roller (option), adjusting	57
pressure roller (option), installing	53
technical data.....	15
wipe-on applicator, connecting	18, 19
WMX 5015 / 5115 / 5215 / 5315	
dispensing angle, continuous adjustment.....	37
dispensing angle, fine adjustment	41
label material, loading.....	30, 31
labelling position, adjusting.....	47, 48
overview.....	13
pressure brush (option), adjusting	63
pressure brush (option), installing	56
pressure roller (option), adjusting	59
pressure roller (option), installing	54
technical data.....	15
wipe-on applicator, connecting	22, 23
WMX 5410 / 5510	
dispensing angle, continuous adjustment.....	36
dispensing angle, fine adjustment	40
label material, loading.....	28, 29
labelling position, adjusting.....	45, 46
overview.....	12
pressure brush (option), adjusting	62
pressure brush (option), installing	55
pressure roller (option), adjusting	58
pressure roller (option), installing	53
technical data.....	15
wipe-on applicator, connecting	20, 21

WMX 5415 / 5515	
dispensing angle, continuous adjustment.....	38
dispensing angle, fine adjustment	42
label material, loading.....	32, 33
labelling position, adjusting.....	49, 50
overview.....	14
pressure roller (option), installing	54, 56
pressure roller, (option), adjusting	60
technical data.....	15
wipe-on applicator, connecting	24, 25



Carl Valentin GmbH
Neckarstraße 78 – 86 u. 94 . 78056 Villingen-Schwenningen
Phone +49 7720 9712-0 . Fax +49 7720 9712-9901
info@carl-valentin.de . www.carl-valentin.de